

# TSU811 SPECIFICATIONS

## opus·2 pressure balancing mixer

### FEATURES:

- Pressure balancing mixer, square trim (shower outlet only)
- Durable, polished chrome finish and sleek design
- Solid brass valve body
- Pressure balancing anti-scald valve
- Adjustable temperature limit stop to control hot water temperature
- Integral shut-off / check valve

### SPECIFICATIONS:

Warranty:	Limited lifetime warranty (residential) One year warranty (commercial)
Material:	Brass body
Flow rate:	7.42 gpm @ 60 psi
Connection:	1/2" NPT

### FINISHES:

Polished chrome

### ACCESSORIES:

Requires rough-in TS810.RN

### INSTALLATION:

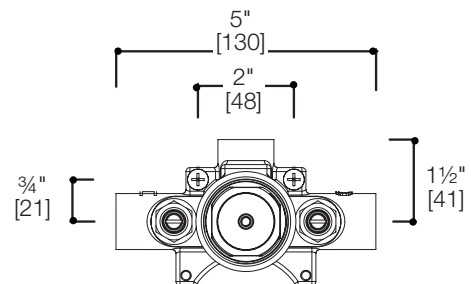
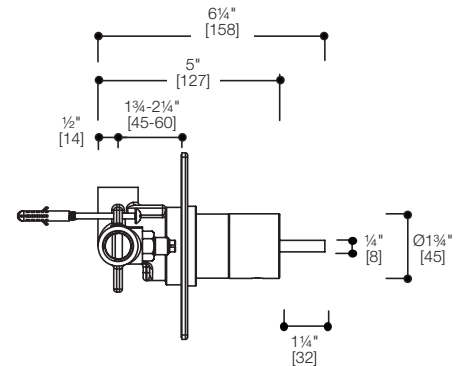
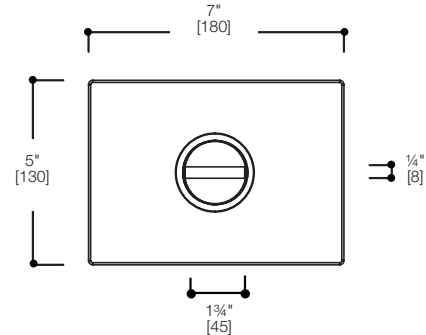
Install this product according to the installation guide. Our products must be installed by certified professionals only and according to our installation guide as well as federal, provincial/state and local building codes and regulations.

### CARE AND MAINTENANCE:

See Installation Manual

### CODES / STANDARDS APPLICABLE:

- Meets or exceeds ANSI / ASME standard A112.18.1 and CAN / CSA B125.1-05 requirements
- Listed with IAPMO bearing the UPC / cUPC mark



\*Approximate measurements for comparison only.  
Note: These dimensions and specifications are subject to change without notice.