

TSP922 SPECIFICATIONS

pure·2 in-wall thermostatic mixer

FEATURES:

- In-wall thermostatic mixer with 2 port diverter
- Durable, polished chrome finish & sleek design
- Brass valve body
- NPT 3/4" connection
- Requires TS922 rough-in

SPECIFICATIONS:

Warranty:	Limited lifetime warranty (residential) One year warranty (commercial)
Connections:	NPT 3/4"
Material:	Brass body
Flow rate:	14.0 gpm @ 60 psi (output will vary depending on device)

FINISHES:

Polished chrome

ACCESSORIES:

Requires rough-in TS922

INSTALLATION:

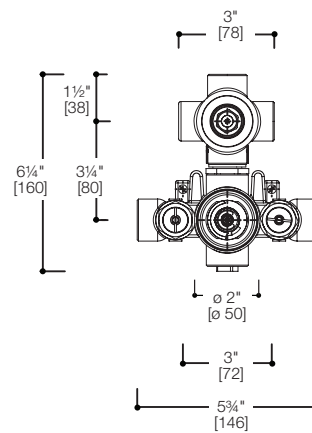
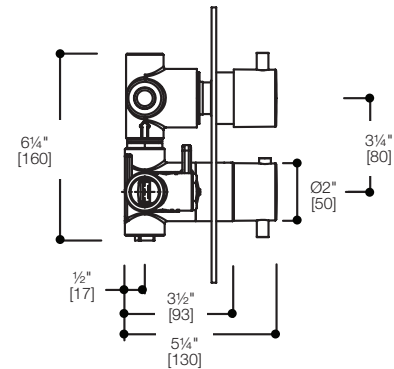
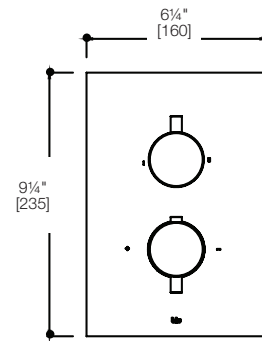
Install this product according to the installation guide.
Our products must be installed by certified professionals only and according to our installation guide as well as federal, provincial/state and local building codes and regulations.

CARE AND MAINTENANCE:

See Installation Manual

CODES / STANDARDS APPLICABLE:

- Meets or exceeds ANSI / ASME standard A112.18.1 and CAN / CSA B125.1-05 requirements
- Listed with IAPMO bearing the UPC / cUPC mark



*Approximate measurements for comparison only.
Note: These dimensions and specifications are subject to change without notice.