

TSP511 SPECIFICATIONS

pure-2 floor-mounted thermostatic bath mixer with handshower

FEATURES:

- Single-hole, floor-mounted thermostatic bath mixer and round wand handshower, handshower includes 60" smooth Neoperl shower hose with conical swivel connections
- 9¾" spout with customized laminar flow
- Durable finish and sleek design

SPECIFICATIONS:

Warranty:	Limited lifetime warranty (residential) One year warranty (commercial)
Connection:	NPT ¾"
Material:	Brass body
Flow rate:	TBC gpm @80 psi
Handshower flow rate:	2.0 gpm @ 80 psi

FINISHES:

Polished chrome

INSTALLATION:

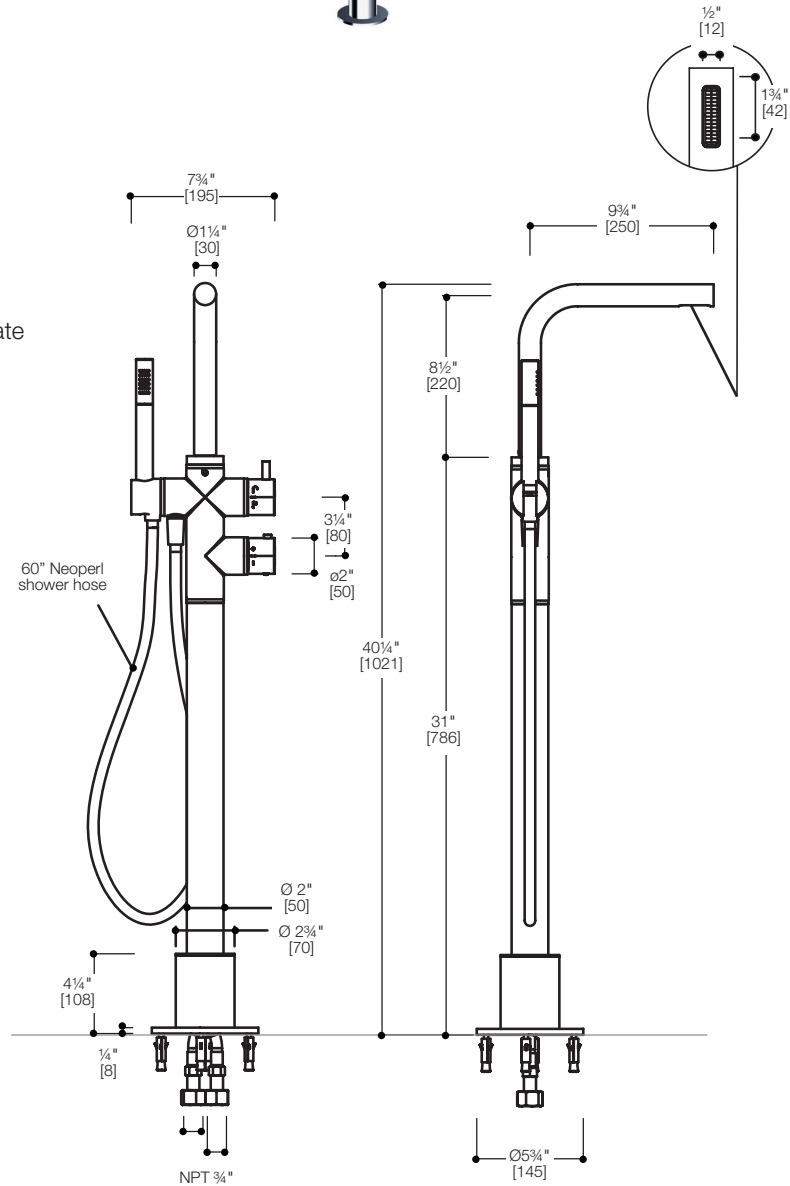
Install this product according to the installation guide. Our products must be installed by certified professionals only and according to our installation guide as well as federal, provincial/state and local building codes and regulations.

CARE AND MAINTENANCE:

See Installation Manual

CODES / STANDARDS APPLICABLE:

- Meets or exceeds ANSI / ASME standard A112.18.1 and CAN / CSA B125.1-05 requirements
- Listed with IAPMO bearing the UPC / cUPC mark
- California AB1953 compliant



AB1953 Compliant

ALGreen

*Approximate measurements for comparison only.
Note: These dimensions and specifications are subject to change without notice.