

# TF610 SPECIFICATIONS

## opus·2 in-wall bathtub filler

### FEATURES:

- In-wall bathtub filler, square trim
- 6¼" spout with customized laminar flow
- Durable, polished chrome finish and sleek design

### SPECIFICATIONS:

Warranty:	Limited lifetime warranty (residential) One year warranty (commercial)
Material:	Brass body
Flow rate:	9.4 gpm @ 80 psi
Connection:	½" NPT

### FINISHES:

Polished chrome

### INSTALLATION:

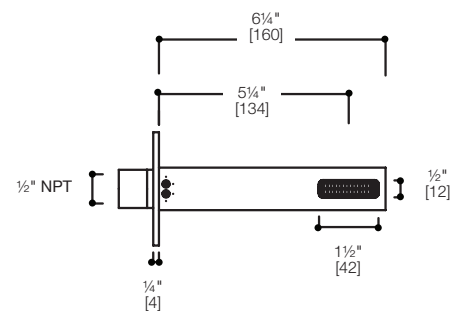
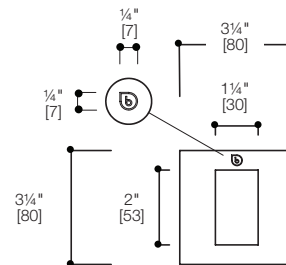
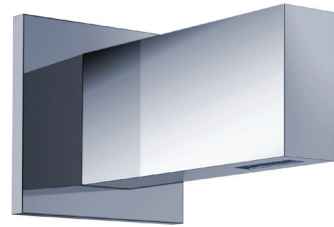
Install this product according to the installation guide.  
Our products must be installed by certified professionals only and according to our installation guide as well as federal, provincial/state and local building codes and regulations.

### CARE AND MAINTENANCE:

See Installation Manual

### CODES / STANDARDS APPLICABLE:

- Meets or exceeds ANSI / ASME standard A112.18.1 and CAN / CSA B125.1-05 requirements
- Listed with IAPMO bearing the UPC / cUPC mark



\*Approximate measurements for comparison only.  
Note: These dimensions and specifications are subject to change without notice.