

# TF260 SPECIFICATIONS

## opus·2 in-wall basin filler

### FEATURES:

- In-wall bathtub filler, square trim
- 10" spout with Neoperl laminar flow aerator
- Durable, polished chrome finish and sleek design

### SPECIFICATIONS:

Warranty:	Limited lifetime warranty (residential) One year warranty (commercial)
Material:	Brass body
Flow rate:	1.5 gpm @ 60 psi
Connection:	½" NPT

### FINISHES:

Polished chrome

### INSTALLATION:

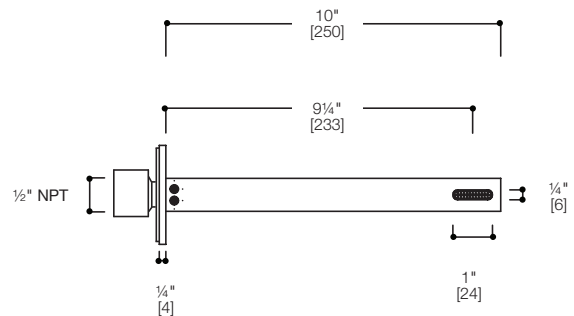
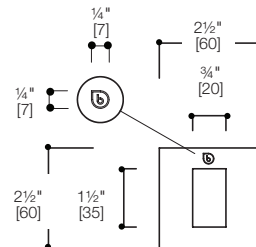
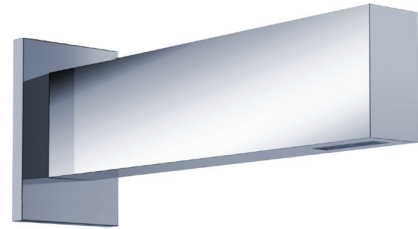
Install this product according to the installation guide. Our products must be installed by certified professionals only and according to our installation guide as well as federal, provincial/state and local building codes and regulations.

### CARE AND MAINTENANCE:

See Installation Manual

### CODES / STANDARDS APPLICABLE:

- Meets or exceeds ANSI / ASME standard A112.18.1 and CAN / CSA B125.1-05 requirements
- Listed with IAPMO bearing the UPC / cUPC mark
- California AB1953 compliant



AB1953 Compliant



\*Approximate measurements for comparison only.  
Note: These dimensions and specifications are subject to change without notice.