

TEP131 SPECIFICATIONS

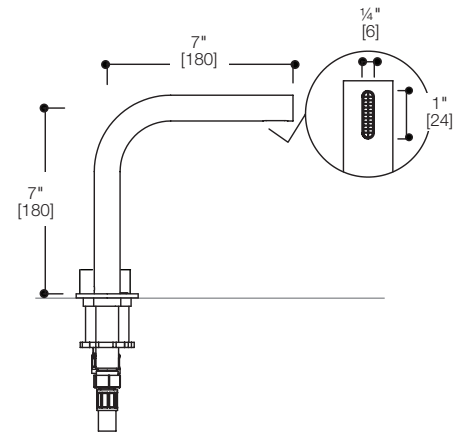
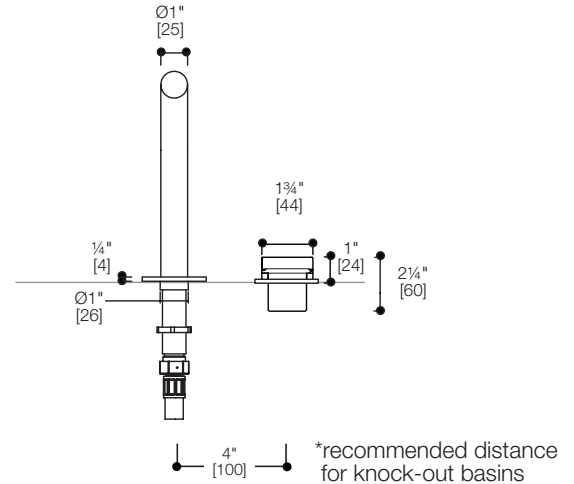
pure·2 electronica deck-mounted basin mixer

FEATURES:

- Two-hole deck-mounted electronic control basin mixer
- 7" spout with Neoperl laminar flow aerator
- Touch control allows for easy on/off, with LED-light ring indicator as a visual temperature indicator
- Three individualized presets that allow for quick access to desired temperatures
- Durable, polished chrome finish and sleek design
- Meets low lead drinking water standards
- Cleaning mode allows you to temporarily switch off electronic components for easy & safe cleaning
- Thermal disinfection valve facilitates internal flush process to remove stagnant water build-up
- Requires electronica basin control mixer TEE015 (see attached)
- Optional wireless remote wheel TEE110 available

SPECIFICATIONS:

| | |
|-------------------------------|--|
| Recommended: | 14.5-72.5 psi (1-5 bar) |
| Water Supply: | |
| Operating pressure max: | 145 psi (10 bar) |
| Test Pressure: | 232 psi (16 bar) |
| Difference of input pressure: | < 14.5 psi (1 bar) |
| Flowrate: | 1.5 gpm @ 60psi |
| Connections: | |
| Inlet: | 2x M10x1 female thread |
| Outlet: | 1x 3/8" male thread |
| Temperatures: | |
| Operating environment: | 4-40°C / 40-140°F |
| Humidity: | max. 95% (non-condensing) |
| Electricity: | |
| Line voltage: | 100-240V AC / 50~60 Hz |
| Frequency: | 50/60Hz |
| Power: | stand by: <1W max: <45W |
| Warranty: | Limited lifetime tapware warranty (residential) Five year electronic parts warranty (residential) One year warranty (commercial) |
| Material: | Brass body |
| Finish: | Polished chrome |



FOR PURCHASE SEPARATELY:



*Required control mixer TEE015 (specs attached)



*Optional wireless remote wheel TEE110

*Approximate measurements for comparison only.
Note: These dimensions and specifications are subject to change without notice.

TEP131 SPECIFICATIONS

pure·2 electronica deck-mounted basin mixer

INSTALLATION

Our products must be installed by certified professionals only and according to our installation guide as well as federal, provincial/state and local building codes and regulations. Installation must allow for future access to control box for maintenance purposes. This work must be carried out in accordance with the regulations IEC 364-7-701-1984 (corresponding to VDE 0100 Part 701) as well as all national local regulations.

Any electrical installation work must only be performed by a qualified electrician.

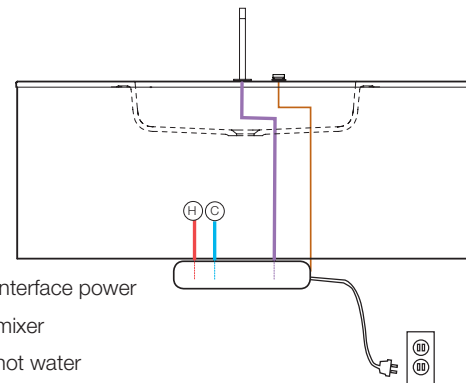
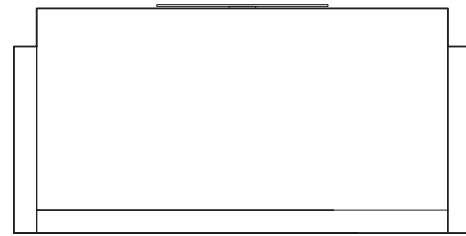
SAFETY NOTES:

- Prevent danger resulting from damaged power supply cables. In the case of damage, the power supply cable must be replaced by the manufacturer or his customer service department or an equally qualified person.
- Installation is only possible in frost-free rooms. The optional power supply unit is only suitable for indoor use.
- The plug-in connectors must not be directly or indirectly sprayed with water when cleaning.
- The voltage supply must be separately switchable.
- The maximum permissible distance between the electronic controller and the functional unit is 4 feet (1.2m) (47").
- If the static pressure exceeds (72.5 psi), a pressure reducing valve must be fitted.

CODES / STANDARDS APPLICABLE:

- Meets or exceeds ANSI / ASME standard A112.18.1 and CAN / CSA B125.1-05 requirements
- IAPMO/ UPC / cUPC
- Calgreen compliant

QUICK-REF DECK-MOUNT INSTALLATION:



AB1953 Compliant

CALGreen

*Approximate measurements for comparison only.
Note: These dimensions and specifications are subject to change without notice.

blu
BATHWORKS®

2013-07

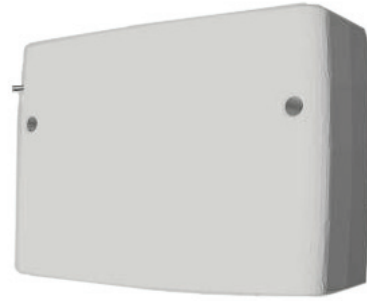
1 866 907 0122 blubathworks.com

TEE015 SPECIFICATIONS

electronica control mixer for basin installation

FEATURES:

- Control mixer for basin installation
- Easy installation, template provided and only two screws required
- Internal back-up rechargeable battery included, providing continuous usage during temporary power outages
- Fail-safe design with back-up microprocessors
- Includes ceramic valves with redundant shut-offs for leak protection
- Plugs into standard North American wall outlet



SPECIFICATIONS:

Recommended: 14.5-72.5 psi (1-5 bar)

Water Supply:

Operating pressure max: 145 psi (10 bar)

Test Pressure: 232 psi (16 bar)

Difference of input pressure: < 14.5 psi (1 bar)

Flowrate: 6.6 gpm @ 50 psi

Connections:

Inlet: 2x M10x1 female thread

Outlet: 1x 3/8" male thread

Temperatures:

Operating environment: 4-40°C / 40-140°F

Humidity: max. 95% (non-condensing)

Cold water range: 2-25°C / 40-68°F

Hot water range: 40-60°C / 122-140°F

Electricity:

Line voltage: 100-240V AC / 50~60 Hz

Frequency: 50/60Hz

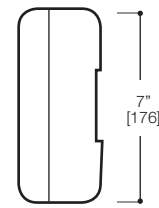
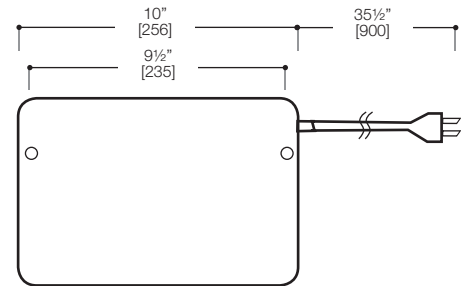
Power: stand by: <1W

max: <45W

Warranty:

Five year electronic part warranty (residential)
(batteries not included)

One year warranty (commercial)



INSTALLATION:

Installation must allow for future access to control box for maintenance purposes. This work must be carried out in accordance with the regulations IEC 364-7-701-1984 (corresponding to VDE 0100 Part 701) as well as all national local regulations. Any electrical installation work must only be performed by a qualified electrician.



AB1953 Compliant

*Approximate measurements for comparison only.
Note: These dimensions and specifications are subject to change without notice.

TEE015 SPECIFICATIONS

electronica control mixer for basin installation

SAFETY NOTES:

- Prevent danger resulting from damaged power supply cables. In the case of damage, the power supply cable must be replaced by a qualified person.
- Installation is only possible in frost-free rooms. The optional power supply unit is only suitable for indoor use. This product is not waterproof, however, the design incorporates a channel to allow for removal of condensation.
- The plug-in connectors must not be directly or indirectly sprayed with water when cleaning.
- The voltage supply must be separately switchable.
- The maximum permissible distance between the electronic controller and the functional unit is 4 feet (1.2m) (47").
- If the static pressure exceeds (72.5 psi), a pressure reducing valve must be fitted.
- Installer must ensure the control mixer is positioned in the correct manner according to installation guide.

APPROVAL & CONFORMITY:

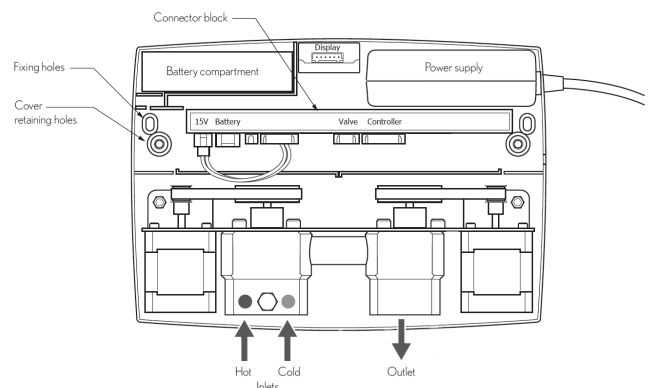
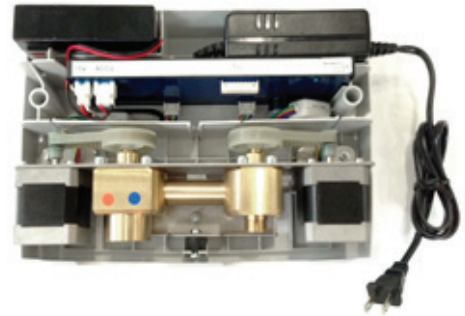
This device complies with part 15 of the FCC Rules (USA) and with the RSS of the IC Rules (Canada).

Operation is subject to the following two conditions:

This device may not cause harmful interference, and this device must accept any interference received, including interference that may cause undesired operation. Changes or modifications not expressly approved by the party responsible for compliance may void the user's authority to operate the equipment.

CODES / STANDARDS APPLICABLE:

- Meets or exceeds ANSI / ASME standard A112.18.1 and CAN / CSA B125.1-05 requirements
- IAPMO/ UPC / cUPC



AB1953 Compliant

*Approximate measurements for comparison only.
Note: These dimensions and specifications are subject to change without notice.