

TD117 SPECIFICATIONS

handshower with hose and wall union

FEATURES:

- Fixed jet handshower with 59" flexible hose and holder
- Includes built-in wall union
- Clean, elegant design
- Durable finishes

SPECIFICATIONS:

Warranty: Lifetime Limited Warranty (Residential)
One Year Warranty (Commercial)

Material: brass

Flow Rate: 2.0 gpm @ 80 psi

Connection: 1/2" NPT

FINISHES:

Polished chrome

ACCESSORIES:

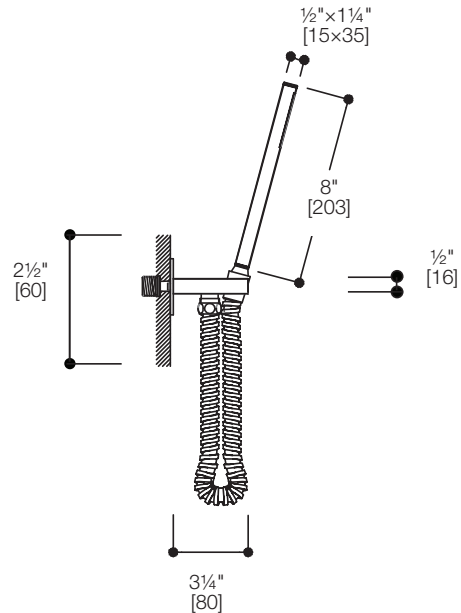
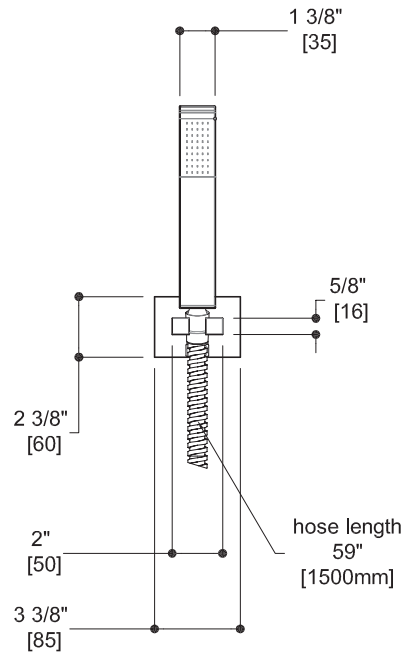
Optional rails, wall unions & shower hoses (not included)

CODES / STANDARDS APPLICABLE:

- Meets or exceeds ANSI / ASME standard
A112.18.1 and CAN / CSA B125.1-05 requirements
- ASME A112.19.2
- IAPMO / UPC / cUPC
- California AB1953 compliant
- Adjustable to meet Calgreen requirements

INSTALLATION:

Install this product according to the installation guide.
Our products must be installed by certified professionals only
and according to our installation guide as well as federal,
provincial / state and local building codes and regulations.



*Approximate measurements for comparison only.
Note: These dimensions and specifications are subject to change without notice.