

## Product Features

- Solid brass
- Single-hole mount
- Single handle with M2 ceramic cartridge
- Swivel bidet aerator
- 2.2 gpm
- Includes pop-up drain

## Code Compliance

This unit meets or exceeds the following:

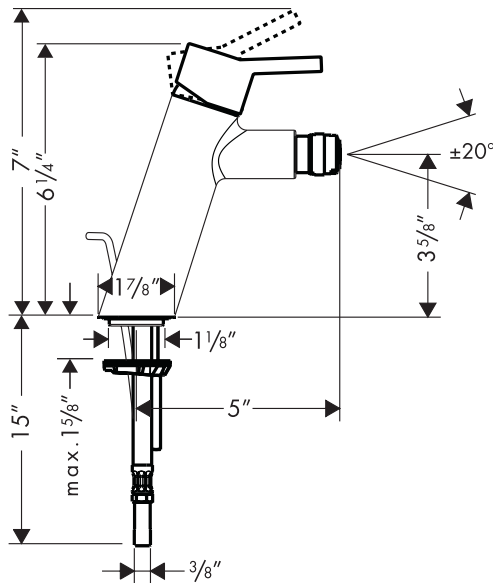
- ASME A112.18.1
- CSA B125.1
- Listed by IAPMO
- ADA compliant

## Available Finishes

Chrome	32240001
Brushed Nickel	32240821

## Optional Accessories

6" baseplate	06490XX0
--------------	----------



The measurements shown are for reference only.

Products and specifications shown are subject to change without notice.

Specification sheet revised 1/2008