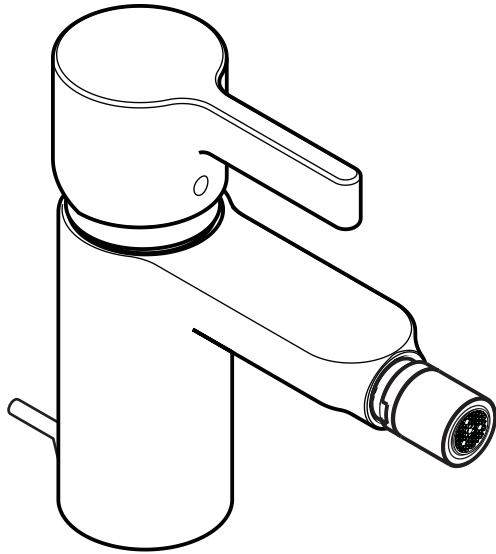


Metris™ S Single-Hole Bidet Faucet

31261XX1



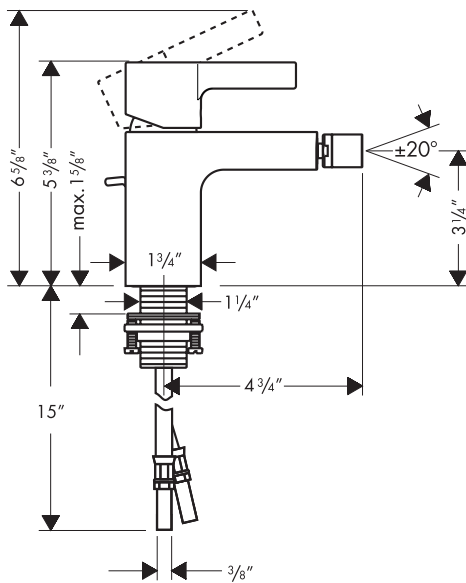
Product Features

- Solid brass
- Single hole installation
- Ceramic cartridge with Boltic handle lock
- Swivel bidet aerator
- 2.2 gpm
- Includes pop-up drain

Code Compliance

This unit meets or exceeds the following:

- ASME A112.18.1
- CSA B125.1
- Listed by IAPMO
- Approved for use in Massachusetts



Available Finishes

Chrome

31261001

Brushed Nickel

31261821

Optional Accessories

6" baseplate

06490XX0

Installation Notes

- 3/8" supply hoses – requires 3/8" compression fittings
- Not for use on bidet with vertical spray

The measurements shown are for reference only.

Products and specifications shown are subject to change without notice.

Specification sheet revised 12/2007

hansgrohe