

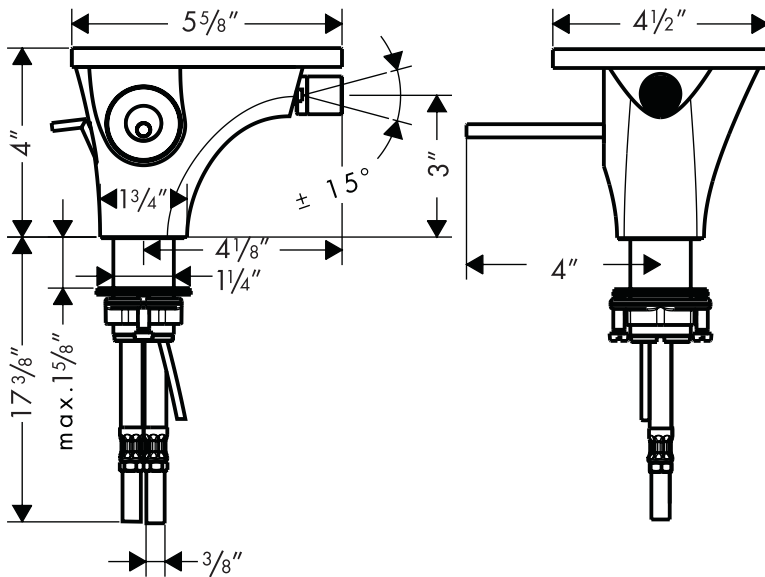
Product Features

- Ceramic cartridge
- Includes pop-up drain
- Swivel bidet aerator

Code Compliance

This unit meets or exceeds the following:

- ASME A112.18.1
- CSA B125.1
- Listed by IAPMO
- Approved for use in Massachusetts



Available Finishes

Chrome

18210001

Installation Notes

- $3/8$ " supply hoses – requires $3/8$ " compression fittings

The measurements shown are for reference only.

Products and specifications shown are subject to change without notice.

Specification sheet revised 12/2007