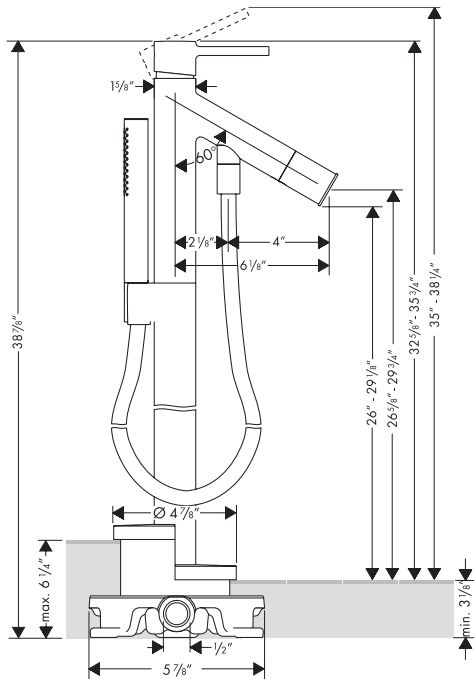
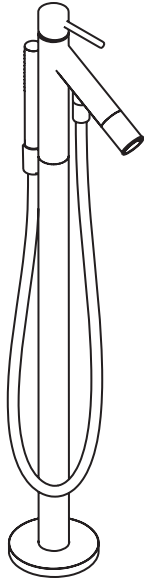


Axor Starck Tub Filler, Freestanding

10456XX1



Shown with rough valve 10452181 (not included)

The measurements shown are for reference only.

Products and specifications shown are subject to change without notice.

Specification sheet revised 1/2008

Product Features

- Mounts on floor beside tub
- Single control with M2 ceramic cartridge
- Max. flow rate 5.8 gpm @ 44 psi
- Diverter for handshower in spout tip
- Axor Starck handshower with full spray, 2.5 gpm max.
- 49" Techniflex handshower hose
- Protection against back siphonage provided by check valve in handshower outlet

Code Compliance

This unit meets or exceeds the following:

- ASME A112.18.1
- CSA B125.1
- Listed by IAPMO
- Approved for use in Massachusetts

Available Finishes

Chrome	10456001
Brushed Nickel	10456821

Required Accessories

Rough	10452181
-------	----------

Optional Accessories

In-line pressure balance valve	13414181
Spout extension, 60 mm	10981XX0
Extension kit (deep rough-in)	97686XX0