

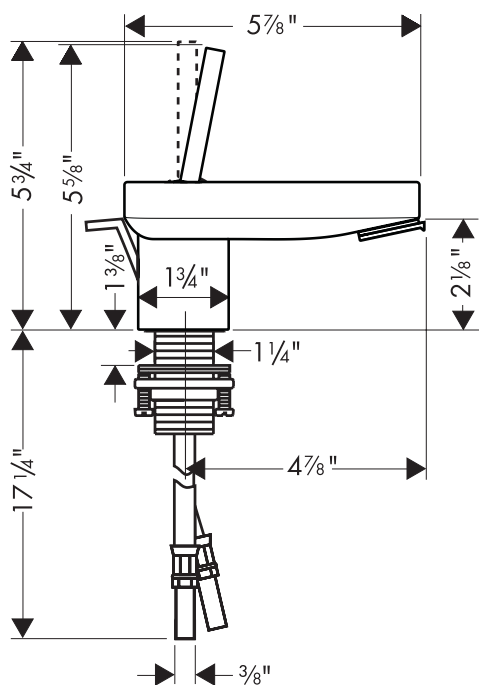
Product Features

- Single hole mounting
- Single control operation
- Ceramic cartridge
- Angle adjustable waterfall spray
- 2.2 gpm
- Includes pop-up drain

Code Compliance

This unit meets or exceeds the following:

- ASME A112.18.1
- CSA B125.1
- Listed by IAPMO
- ADA compliant



Available Finishes

Chrome

10205001

Installation Notes

- 3/8" supply hoses - requires 3/8" compression fittings

The measurements shown are for reference only.

Products and specifications shown are subject to change without notice.

Specification sheet revised 1/2008