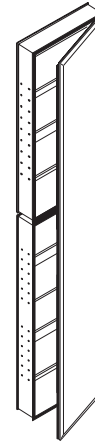


Features

- Recess or surface mount
- Mirrored doors and interior, matte silver interior
- 3-way adjustable concealed hinge system
- SAFESEAL™ gasket frame
- Patented swing-out magnifying mirror
- Rust-free aluminum construction
- Left or right hinge door available
- Seven adjustable glass shelves
- 15-1/4" (38.7 cm) x 70" (177.8 cm) x 4-5/8" (11.7 cm)

MF16D4FBR
ALSO MF16D4FBL, MF16D4FPR,
MF16D4FPL



Codes/Standards Applicable

Specified model meets or exceeds the following:

- None applicable

Specified Model

Model	Description	
MF16D4FBR	Beveled edge, right-hand	<input type="checkbox"/>
MF16D4FBL	Beveled edge, left-hand	<input type="checkbox"/>
MF16D4FPR	Plain edge, right-hand	<input type="checkbox"/>
MF16D4FPL	Plain edge, left-hand	<input type="checkbox"/>
NOTE: Hardware required for installing cabinets side-by-side is included.		
Required Accessories - For Surface-Mount and Semi-Recessed Installations Only		
MFSK70D4	Beveled mirror side kit	<input type="checkbox"/>
MFSK70D4P	Plain mirror side kit	<input type="checkbox"/>
Refer to the Price Guide for additional side kit colors and finishes		
Optional Accessories		
SLB16D4	Safety-lock box	<input type="checkbox"/>
Frames, light options, and additional accessories are also available. Refer to the Price Guide for more information.		

M SERIES FLAT DOOR CABINET

Technical Information

Roughing-in opening	14-1/2" (36.8 cm) x 69-1/4" (175.9 cm) x 4" (10.2 cm)
Door opening angle	170°

Installation Notes

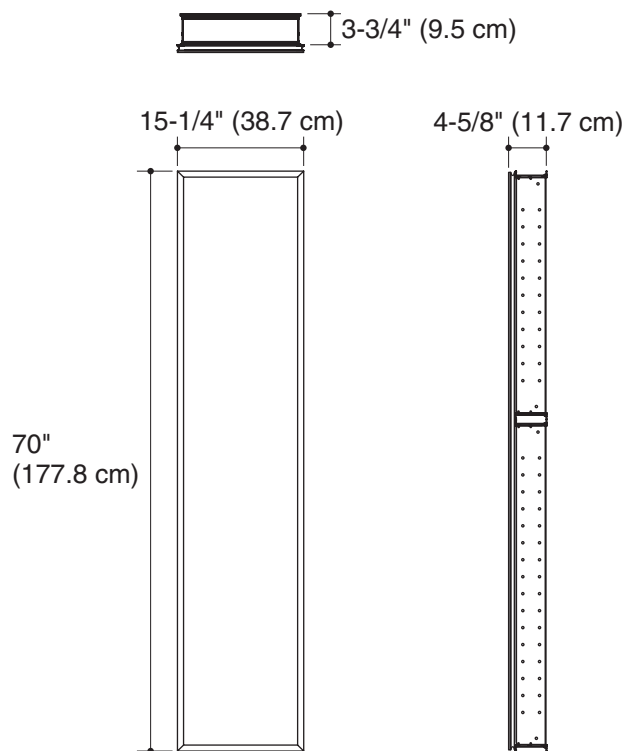
Install this product according to the installation guide.

When determining the height of the mirrored cabinet, ensure the mirrored door will clear all obstacles, such as a faucet. A minimum distance of 1" (2.5 cm) is required.

Secure the screws (provided) to a stud to avoid possible property and product damage. If this is not possible, anchors (provided) must be inserted before installing the screws.

Modular components can be joined horizontally offering unlimited storage space. When ganging cabinets: rough opening width/height = total width/height of all cabinets and lights minus 3/4" (1.9 cm).

Recessed cabinets project 7/8" (2.2 cm) from wall.



Product Diagram