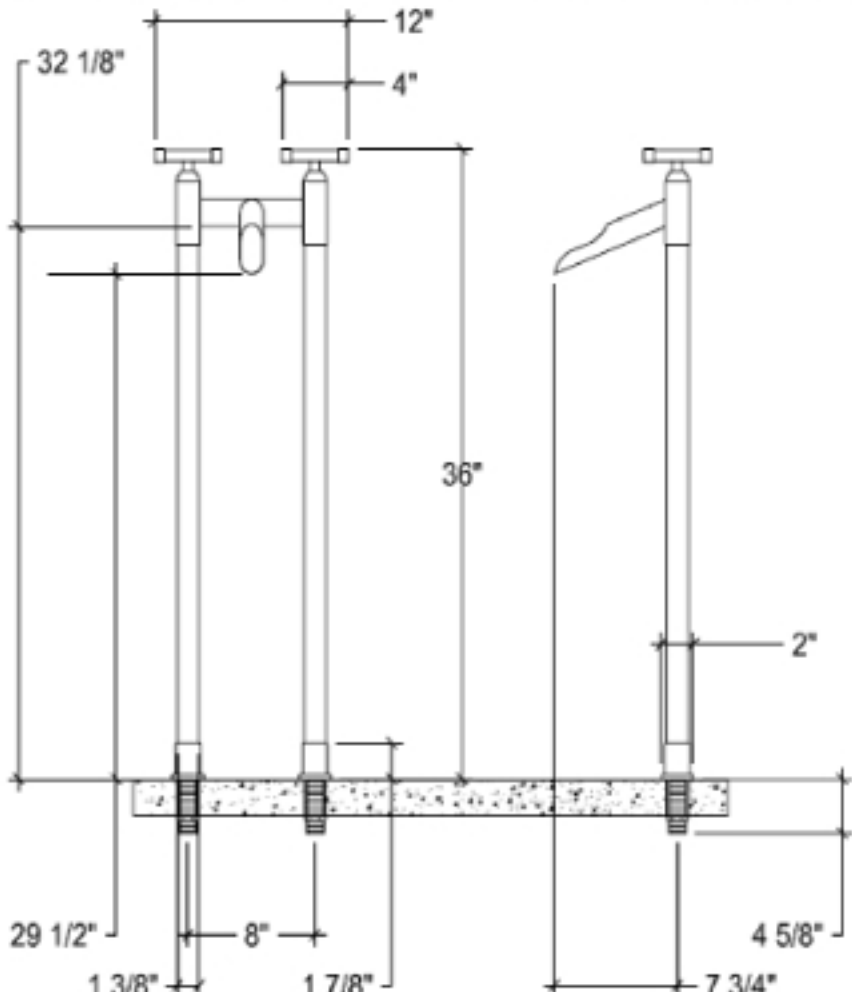




PRODUCT SPECIFICATIONS

WATERBRIDGE ROMAN TUB FILLER – FLOOR MOUNT (WB RTF FM)



FACTS

- 3/4" Quarter-turn Ceramic Cartridges, 10 GPM (depending on water pressure)
- Legs 8" on center (Leg on hot side is insulated)
- Holes should be drilled at 1-1/8" to 1-1/4" (2" Trim rings cover gaps)
- Plumber supplies Sweat Adapter (straight or elbow). Rough must be rigid.
- 3/4" NPS connection for mounting (1" O.D.) – compression fitting
- IAPMO Approved
- Available in Four Standard Finishes (WaterBridge Collection)
 - Rustic Copper (RC) Oil Rubbed Bronze (ORB)
 - Rustic Nickel (RN) Pizzazz Nickel (PN)
- Stabilizer Tee available in matching finishes as an accessory.

Sonoma Forge, 133 Copeland Street, Petaluma, CA 94952
 T (800) 330-5553 T (707) 789-9130 F (707)789-9201
 www.sonomaforge.com info@sonomaforge.com

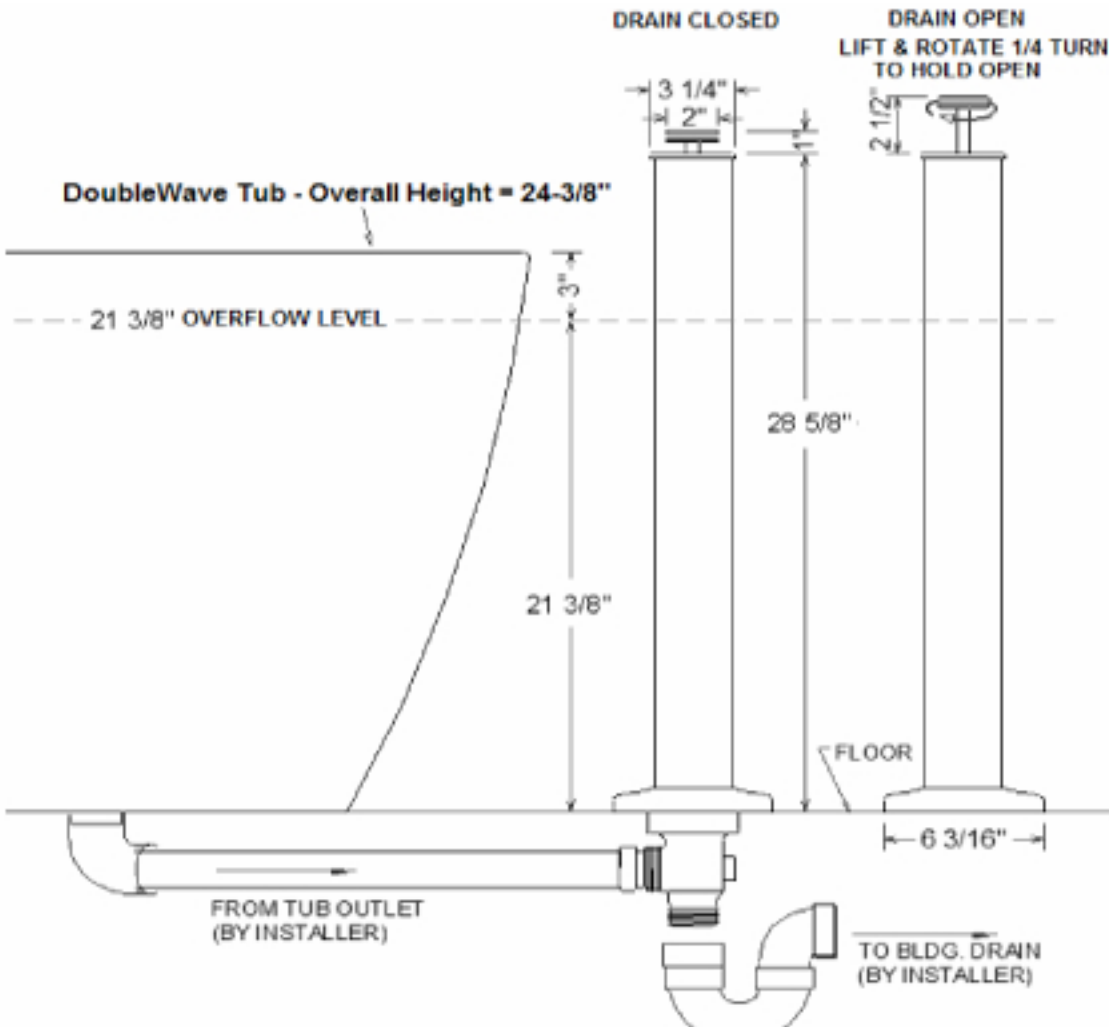


PRODUCT SPECIFICATIONS

WATERBRIDGE TUB DRAIN & OVERFLOW (WB RTDO)

See details on Page 3

Shown with Sonoma Cast Stone's "DoubleWave" Soaking Tub



Sonoma Forge, 133 Copeland Street, Petaluma, CA 94952
 T (800) 330-5553 T (707) 789-9130 F (707)789-9201
 www.sonomaforge.com info@sonomaforge.com

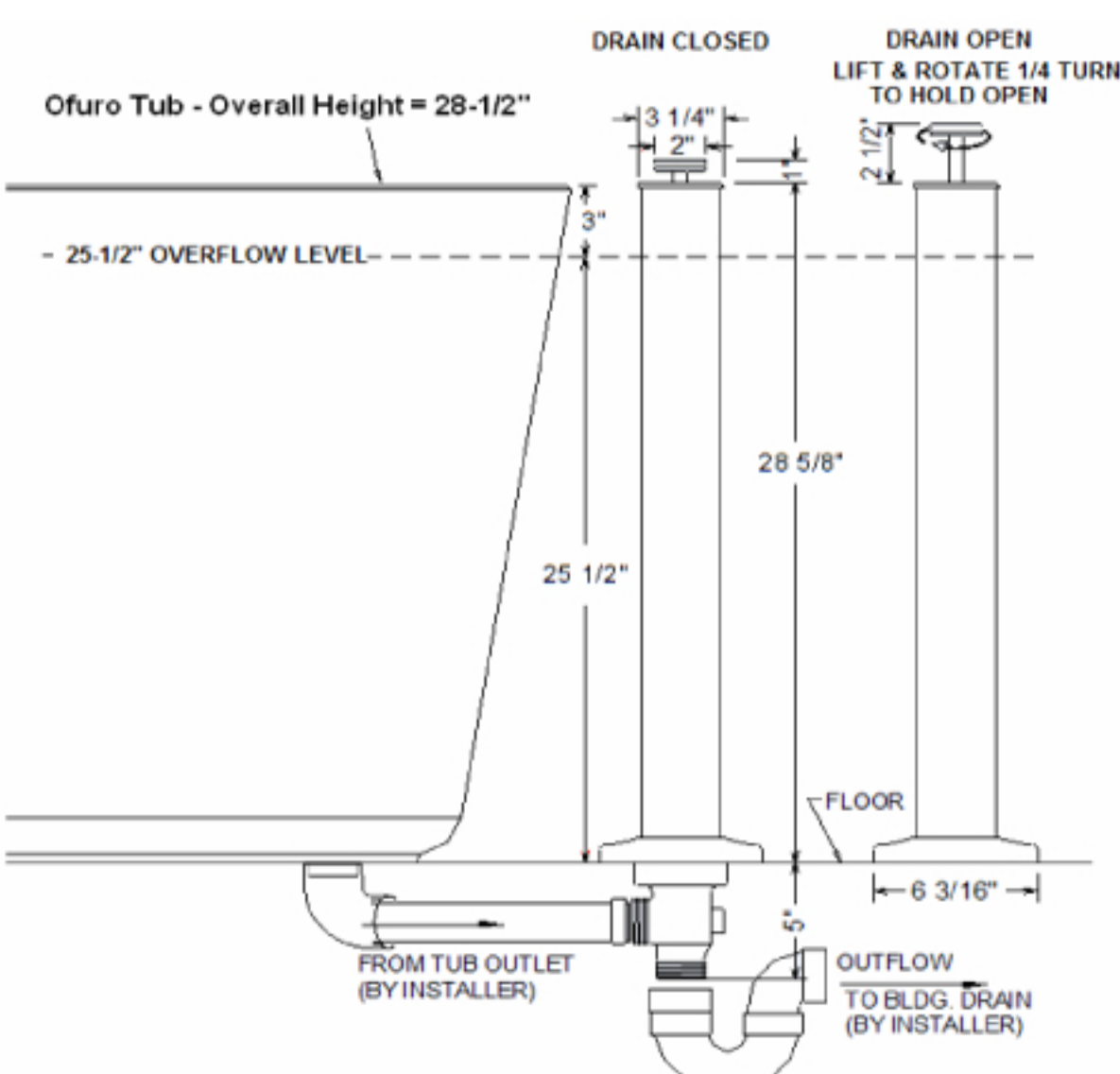


PRODUCT SPECIFICATIONS

WATERBRIDGE TUB DRAIN & OVERFLOW (WB RTDO)

See details on Page 3

Shown with Sonoma Cast Stone's "Ofuro" Soaking Tub



Sonoma Forge, 133 Copeland Street, Petaluma, CA 94952
 T (800) 330-5553 T (707) 789-9130 F (707)789-9201
 www.sonomaforge.com info@sonomaforge.com