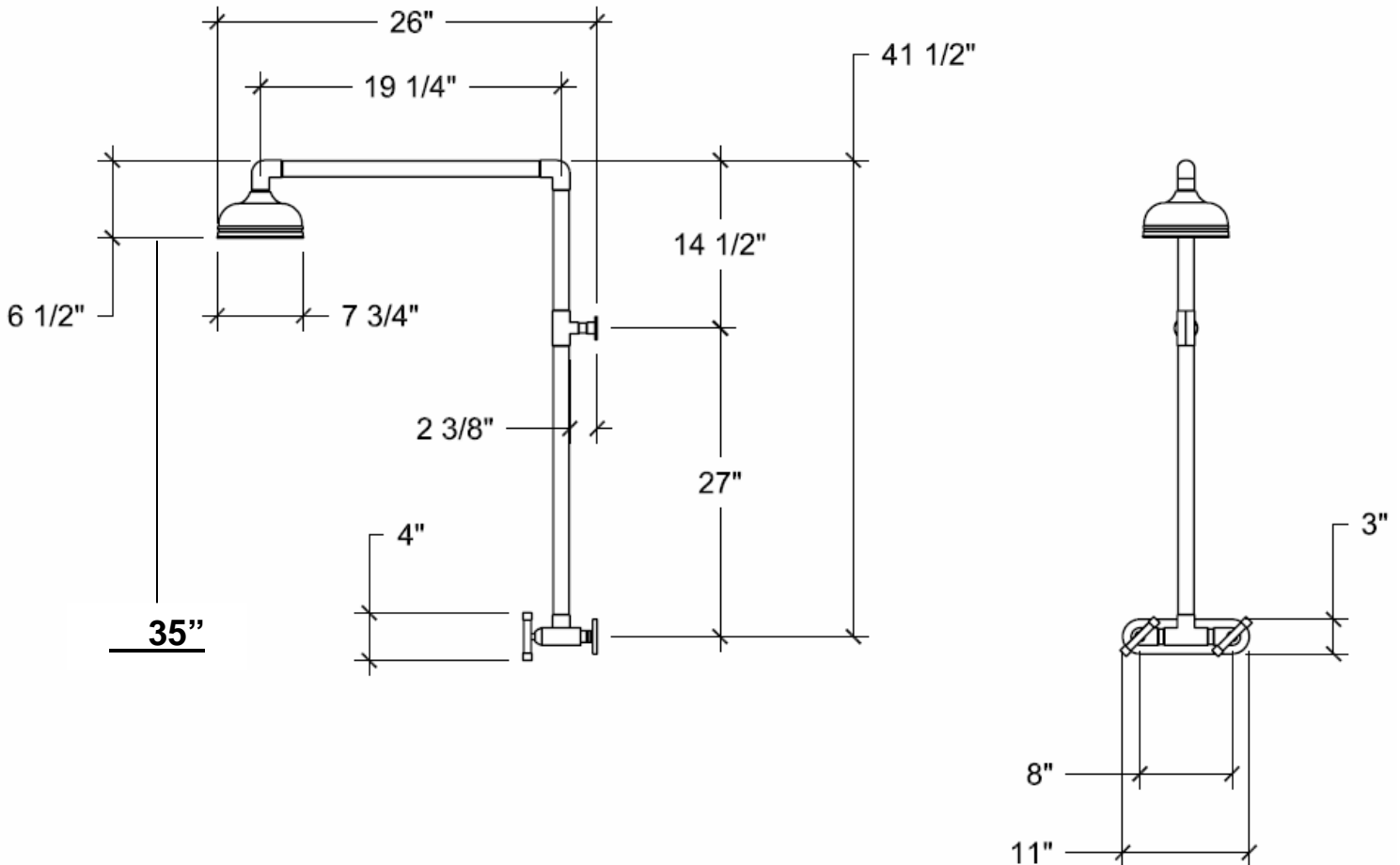




PRODUCT SPECIFICATIONS

WATERBRIDGE EXPOSED SHOWER – MODEL 840 (was WB SH 2H) 2 HANDLE



FACTS

Solid Copper Construction, piping is 1-3/8" O.D.

1/2" Quarter-turn Ceramic Cartridges

Hooks up directly to 1/2" soft or rigid copper supply lines w/Compression Fitting
IAPMO Approved

Available in Four Standard Finishes (WaterBridge Collection)

Rustic Copper Oil Rubbed Bronze

Rustic Nickel Pizzazz Nickel

(Note: Dimensions for current inventory may vary slightly from those shown above)



**WATERBRIDGE EXPOSED SHOWER – MODEL 840
2 HANDLE**

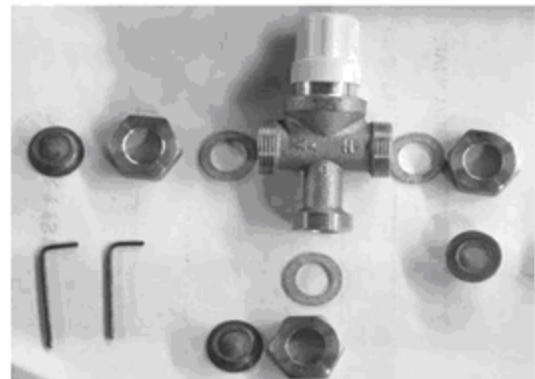
**SHOWER SHIPS IN THREE PIECES; BODY, ARM, HEAD,
AND MISC. PARTS SHOWN BELOW**



MOUNTING PLATE



**SHOWER HEAD SPACER
& MOUNTING SCREWS**



WATTS ANTI-SCALD MIXING VALVE