

BT8005 SPECIFICATIONS

metrix acrylic freestanding bathtub

FEATURES:

- Streamlined, high profile one piece design
- Thin profile design with slim deck area
- Acrylic
- Freestanding type
- Includes polished chrome waste & slot overflow

SPECIFICATIONS:

Basin Area:	43 ³ / ₈ " (1100mm) x 18 ¹ / ₈ " (460mm)*
Top Area:	67" (1700mm) x 29 ¹ / ₄ " (740mm)*
To Overflow:	2 ³ / ₄ " (70mm)*
Water Depth:	16 ¹ / ₄ " (410mm)*
Capacity:	85G (320L)
Slope of Backrest:	29°*
Weight:	132lbs (60kg)
Hot water supply req'd:	Should be 70% of water capacity of tub or greater
Warranty:	Five Year Warranty (Residential use) One Year Warranty (Commercial use)
Material:	Acrylic
Shipping Weight:	176bs (80kg)*
Shipping Dimensions:	(LWH) 71" x 33" x 31" (1800mm x 840mm x 800mm)*

FINISHES:

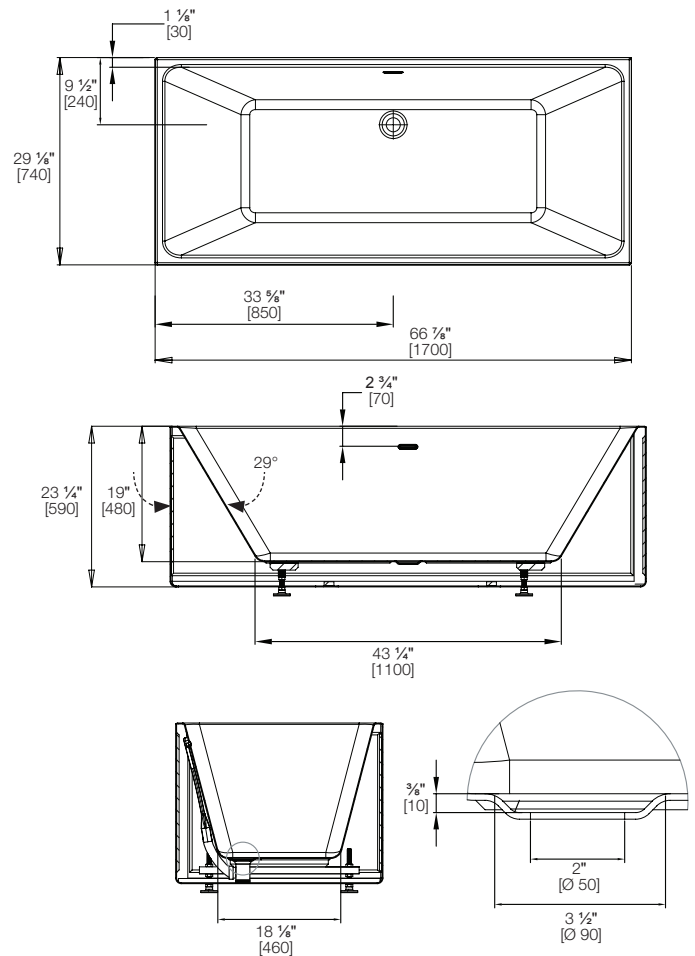
- White Gloss
- Optional brushed nickel finish available for waste & slot overflow

INSTALLATION NOTES:

Install this product according to the installation guide. Floor support under bath must provide for a minimum of 1400 lbs (635kg). Installation will vary. Our products must be installed by certified professionals only and according to our installation guide as well as federal, provincial / state and local building codes and regulations

CODES / STANDARDS APPLICABLE:

- Meets or exceeds ANSI / ASME standard
Z124.1.2 and CAN / CSA B 45 requirements
- IAPMO / UPC / cUPC



*Approximate measurements for comparison only.
Note: These dimensions and specifications are subject to change without notice.