

BT8004B16 SPECIFICATIONS

coco acrylic freestanding bathtub

FEATURES:

- Streamlined, high profile one piece design
- Thin profile design
- Acrylic
- Freestanding type
- Tailpiece not included
- Includes polished chrome waste & slot overflow

SPECIFICATIONS:

Basin Area:	43 ³ / ₈ " (1100mm) x 18 ¹ / ₈ " (460mm)*
Top Area:	62 ¹ / ₄ " (1580mm) x 29 ¹ / ₄ " (740mm)*
To Overflow:	2 ³ / ₄ " (70mm)*
Water Depth:	15" (380mm)*
Capacity:	60G (228L)*
Slope of Backrest:	25°*
Weight:	75lbs (34kg)*
Hot water supply req'd:	Should be 70% of water capacity of tub or greater
Warranty:	Five Year Warranty (Residential use) One Year Warranty (Commercial use)
Material:	Acrylic
Shipping Weight:	119lbs (54kg)*
Shipping Dimensions:	(LWH) 65" x 32" x 26" (1650mm x 810mm x 670mm)*

FINISHES:

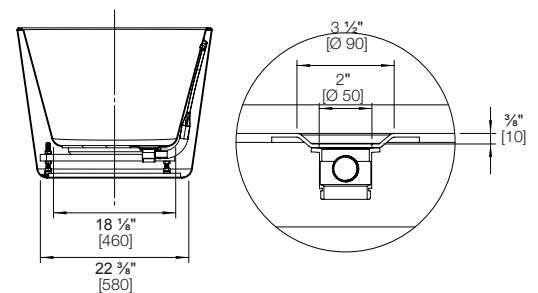
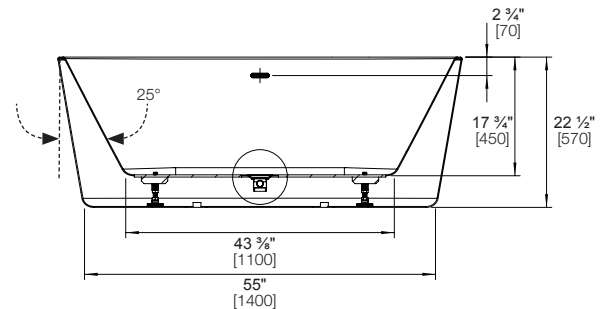
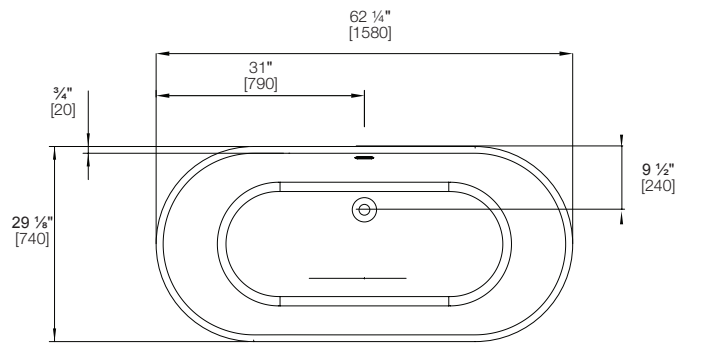
- White Gloss
- Optional brushed nickel finish available for waste & slot overflow

INSTALLATION NOTES:

Install this product according to the installation guide.
Floor support under bath must provide for a minimum of 1400 lbs (635kg). Installation will vary. Our products must be installed by certified professionals only and according to our installation guide as well as federal, provincial / state and local building codes and regulations

CODES / STANDARDS APPLICABLE:

- Meets or exceeds ANSI / ASME standard
Z124.1.2 and CAN / CSA B 45 requirements
- IAPMO / UPC / cUPC



*Approximate measurements for comparison only.
Note: These dimensions and specifications are subject to change without notice.

BT8004B18 SPECIFICATIONS

coco acrylic freestanding bathtub

FEATURES:

- Streamlined, high profile one piece design
- Thin profile design
- Acrylic
- Freestanding type
- Tailpiece not included
- Includes polished chrome waste & slot overflow

SPECIFICATIONS:

Basin Area:	45¼" (1150mm) x 19" (480mm)*
Top Area:	70" (1775mm) x 31½" (800mm)*
To Overflow:	2¾" (70mm)*
Water Depth:	15" (380mm)*
Slope of Backrest:	33°*
Capacity:	70G (265L)*
Weight:	96lbs (44kg)*
Hot water supply req'd:	Should be 70% of water capacity of tub or greater
Warranty:	Five Year Warranty (Residential use) One Year Warranty (Commercial use)
Material:	Acrylic
Shipping Weight:	141 lbs (64kg)*
Shipping Dimensions:	(LWH) 72" x 34" x 29" (1830mm x 855mm x 740mm)*

FINISHES:

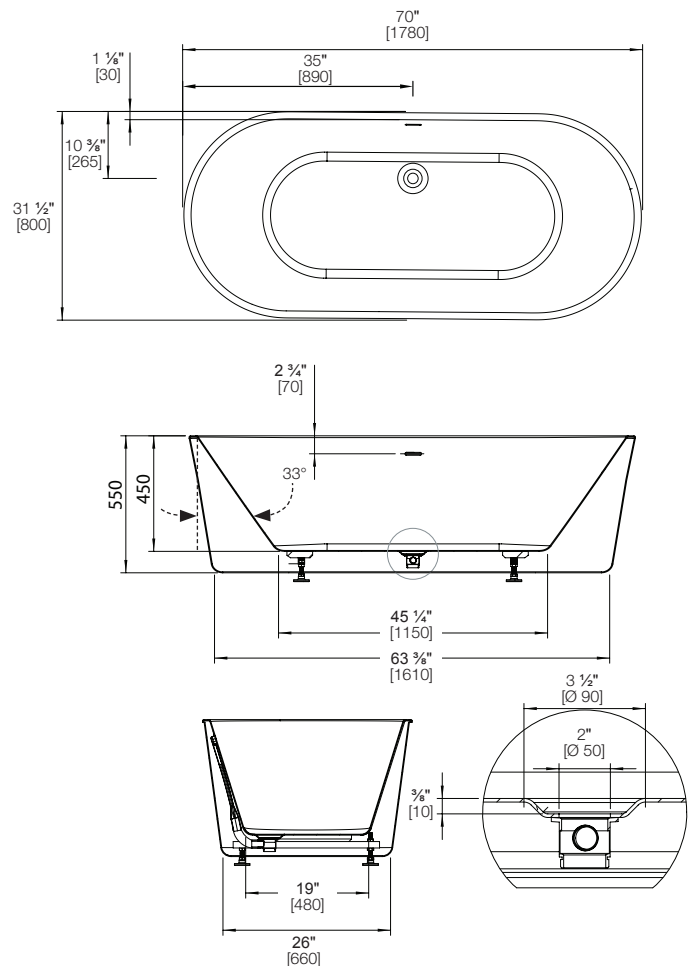
- White Gloss
- Optional brushed nickel finish available for waste & slot overflow

INSTALLATION NOTES:

Install this product according to the installation guide. Floor support under bath must provide for a minimum of 1400 lbs (635kg). Installation will vary. Our products must be installed by certified professionals only and according to our installation guide as well as federal, provincial / state and local building codes and regulations

Codes / Standards Applicable:

- Meets or exceeds ANSI / ASME standard
Z124.1.2 and CAN / CSA B 45 requirements
- IAPMO / UPC / cUPC



*Approximate measurements for comparison only.
Note: These dimensions and specifications are subject to change without notice.