

BT8002B16 SPECIFICATIONS

coco acrylic freestanding bathtub

FEATURES:

- Streamlined, high profile one piece design
- Acrylic
- Freestanding type
- Tailpiece not included
- Includes polished chrome waste & slot overflow

SPECIFICATIONS:

| | |
|-------------------------|--|
| Basin Area: | 43 ³ / ₈ " (1400mm) x 18 ¹ / ₈ " (460mm)* |
| Top Area: | 62 ¹ / ₄ " (1580mm) x 29 ¹ / ₈ " (740mm)* |
| To Overflow: | 2 ³ / ₄ " (70mm)* |
| Water Depth: | 15 ³ / ₈ " (390mm)* |
| Slope of Backrest: | 22.5°* |
| Capacity: | 58G (220L)* |
| Weight: | 81 ¹ / ₂ lbs (37kg)* |
| Hot water supply req'd: | Should be 70% of water capacity of tub or greater |
| Warranty: | Five Year Warranty (Residential use) One Year Warranty (Commercial use) |
| Material: | Acrylic |
| Shipping Weight: | 125 ¹ / ₂ lbs (57kg)* |
| Shipping Dimensions: | (LWH) 65" x 32" x 31" (1650mm x 810mm x 790mm)* |

FINISHES:

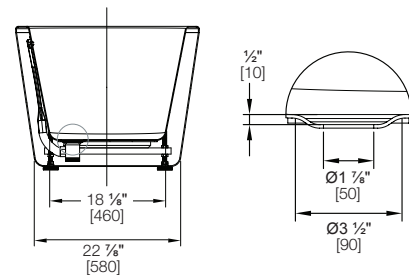
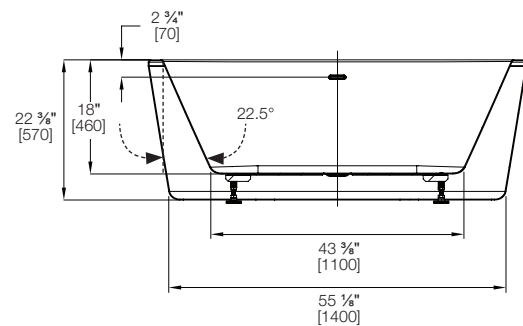
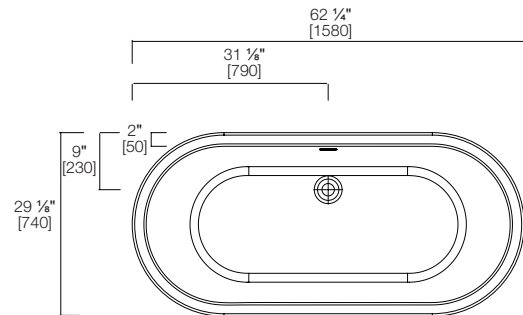
- White Gloss
- Optional brushed nickel finish available for waste & slot overflow

INSTALLATION NOTES:

Install this product according to the installation guide. Floor support under bath must provide for a minimum of 1400 lbs (635kg). Installation will vary. Our products must be installed by certified professionals only and according to our installation guide as well as federal, provincial / state and local building codes and regulations

CODES / STANDARDS APPLICABLE:

- Meets or exceeds ANSI / ASME standard
Z124.1.2 and CAN / CSA B 45 requirements
- IAPMO / UPC / cUPC



*Approximate measurements for comparison only.
Note: These dimensions and specifications are subject to change without notice.

BT8002B18 SPECIFICATIONS

coco acrylic freestanding bathtub

FEATURES:

- Streamlined, high profile one piece design
- Acrylic
- Freestanding type
- Tailpiece not included
- Includes polished chrome waste & slot overflow

SPECIFICATIONS:

| | |
|-------------------------|--|
| Basin Area: | 45¼" (1150mm) x 18⅞" (460mm)* |
| Top Area: | 70" (1780mm) x 31½" (800mm)* |
| To Overflow: | 2¾" (70mm)* |
| Water Depth: | 15" (380mm)* |
| Capacity: | 61G (230L)* |
| Slope of Backrest: | 27.5°* |
| Weight: | 97lbs (44kg)* |
| Hot water supply req'd: | Should be 70% of water capacity of tub or greater |
| Warranty: | Five Year Warranty (Residential use) One Year Warranty (Commercial use) |
| Material: | Acrylic |
| Shipping Weight: | 141lbs (64kg)* |
| Shipping Dimensions: | (LWH) 72" x 34" x 29" (1835mm x 855mm x 740mm)* |

FINISHES:

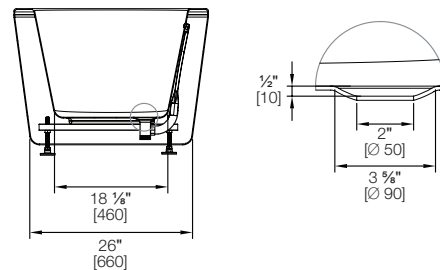
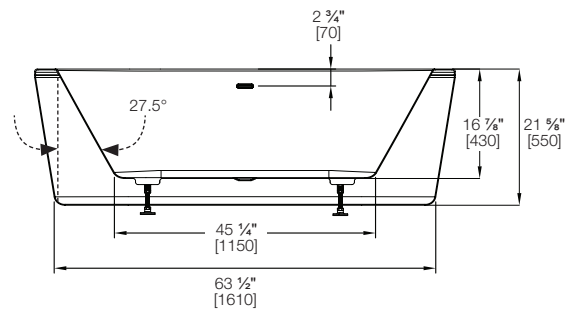
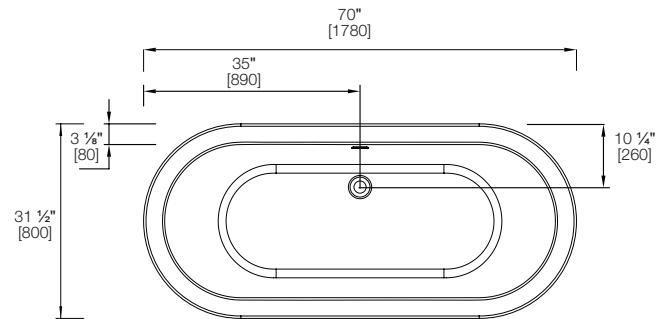
- White Gloss
- Optional brushed nickel finish available for waste & slot overflow

INSTALLATION NOTES:

Install this product according to the installation guide. Floor support under bath must provide for a minimum of 1400 lbs (635kg). Installation will vary. Our products must be installed by certified professionals only and according to our installation guide as well as federal, provincial / state and local building codes and regulations

Codes / Standards Applicable:

- Meets or exceeds ANSI / ASME standard Z124.1.2 and CAN / CSA B 45 requirements
- IAPMO / UPC / cUPC



*Approximate measurements for comparison only.
Note: These dimensions and specifications are subject to change without notice.