



Cube

BC 01

inch 72x40x24 mm 1829x1016x610

interior dimensions

rim: inch 58x26 mm 1473x660
base: inch 48x25 mm 1219x635
height: inch 20 mm 508

capacity to overflow

gal (us) - 82 liters - 310

weight

lb - 308 kg - 140

installation

freestanding, 1 wall, 2 walls or 3 walls

accessory

cedar bridge wenge shade

trap access

white access panel

material

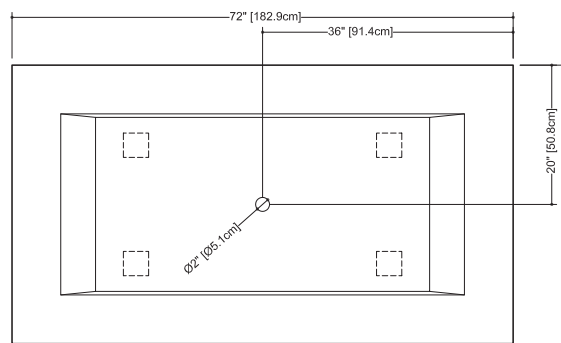
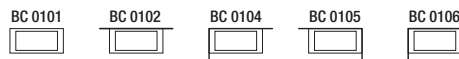
WETMAR™, glossy or mat finish

color

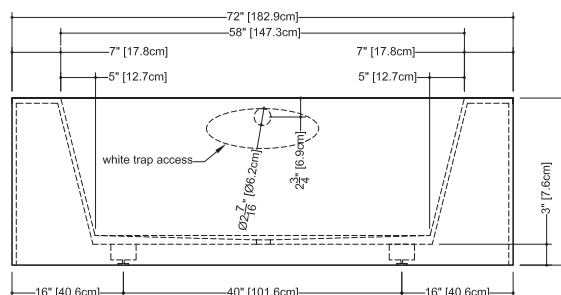
white

codes/standards applicable

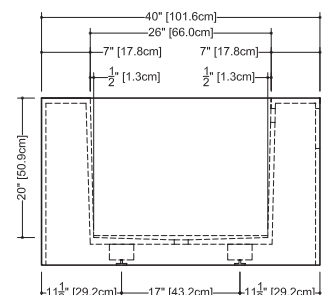
ANSI Z124.1 - ANSI Z124.3
CSA B 45.0 - CSA B45.4



plan view



front view



side view

WETSTYLE cannot be held responsible for any technical errors and reserves the right to make revisions without notice.

Approximate measurement.
The manufacturer accept 1/4 (6.35mm) variance.

www.WETSTYLE.CA - Montreal - Canada
Tel. 450.536.9000 - 1 888.536.9001 - Fax. 450.536.0202



Cube

BC 01

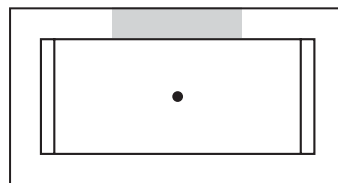
inch 72x40x24 mm 1829x1016x610

■ **overflow & drain**
35" longneck waste and
overflow from Geberit
not included

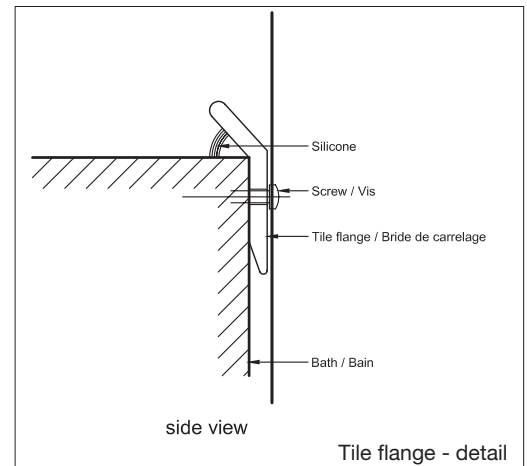
■ **faucet area recommended**
bath deck
or floor-mounted

wide-deck bathtub;
wall shower installation
is not recommended

* Due to multiple possibilities,
faucet holes must be drilled by the plumber.



■ Faucet installation zone



side view

Tile flange - detail

Bathtubs installation supplies

A tile flange will be supplied to comply with the requested position. Installed at the factory to prevent water leakage, this must be placed directly on the partition framing prior to the installation of drywall.

Plumbing installation restriction

BC 0101, freestanding bathtub requires a vertical plumbing connection rising from the floor. A horizontal connection is only possible by drilling a hole in the side of the tub. Please refer to the installation instructions available on our web site.

WETSTYLE cannot be held responsible for any technical errors and reserves the right to make revisions without notice.

Approximate measurement.
The manufacturer accept 1/4 (6.35mm) variance.

www.WETSTYLE.CA - Montreal - Canada
Tel. 450.536.9000 - 1 888.536.9001 - Fax. 450.536.0202

