



Cube

VCMS 18

inch 18 x 18 x 2 mm 457 x 457 x 51

■ **interior dimensions**

inch 14 x 12 x 3.375 mm 356 x 306 x 86

■ **weight**

lb - 13 kg - 6

■ **installation**

semi-recessed

■ **accessory**

nil

■ **overflow**

without overflow : VCMS 18

built-in overflow : VCMS 18-O

polished chrome or brushed nickel

■ **faucet hole**

mono, 8" c/c no hole

or custom drillings

■ **material**

WETMAR™, True High Gloss™

or matte finish

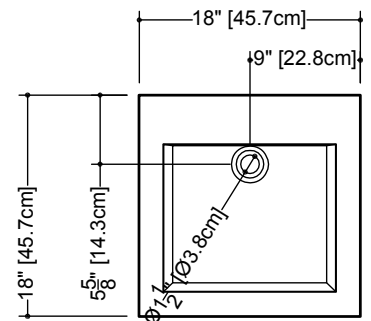
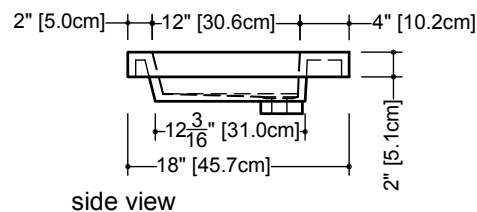
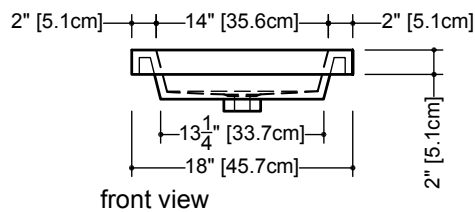
■ **color**

white

■ **codes/standards applicable**

IAPMO-ANSI Z124.1 - IAPMO-ANSI Z124.3

CSA B 45.0 - CSA B45.4



WETSTYLE cannot be held responsible for any technical errors and reserves the right to make revisions without notice.

Approximate measurement.
The manufacturer accept 1/4" (6.35mm) variance.

www.WETSTYLE.CA - Montreal - Canada
Tel. 450.536.9000 - 1 888.536.9001 - Fax. 450.536.0202

