



# Cube

## VCM 18

inch 18 x 18 x 4 mm 457 x 457 x 102

■ **interior dimensions**

inch 14 x 12 x 3.375 mm 356 x 306 x 86

■ **weight**

lb - 15 kg - 7

■ **installation**

above counter

■ **accessory**

nil

■ **overflow**

without overflow : VCM 18  
 built-in overflow : VCM 18-O  
 polished chrome or brushed nickel

■ **faucet hole**

mono, 8" c/c no hole  
 or custom drillings

■ **material**

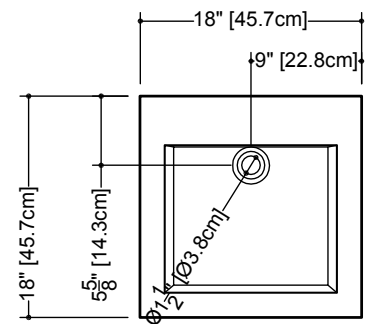
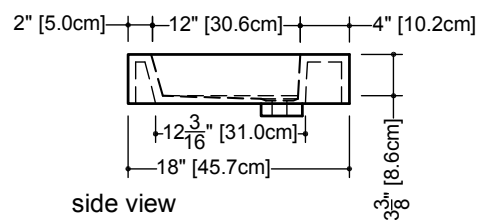
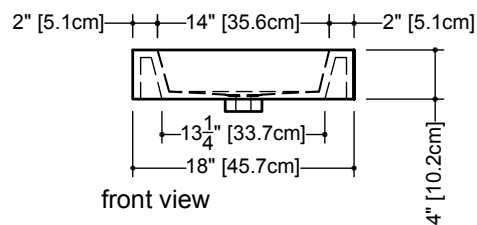
WETMAR™, True High Gloss™  
 or matte finish

■ **color**

white

■ **codes/standards applicable**

IAPMO-ANSI Z124.1 - IAPMO-ANSI Z124.3  
 CSA B 45.0 - CSA B45.4



WETSTYLE cannot be held responsible for any technical errors and reserves the right to make revisions without notice.

Approximate measurement.  
 The manufacturer accept 1/4" (6.35mm) variance.

www.WETSTYLE.CA - Montreal - Canada  
 Tel. 450.536.9000 - 1 888.536.9001 - Fax. 450.536.0202

