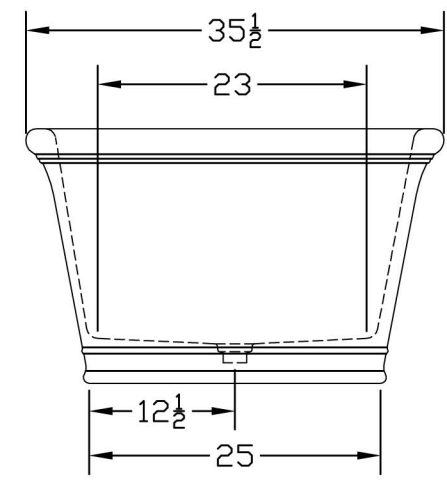
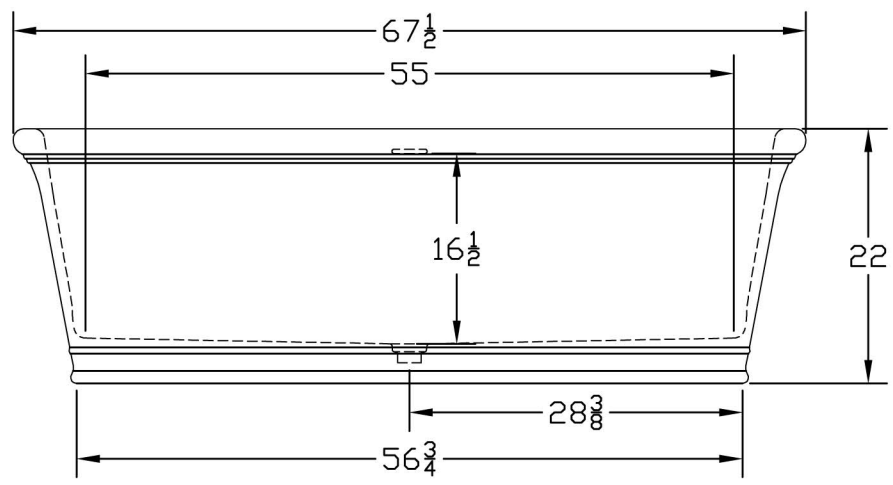


OVERFLOW IS INTEGRAL TO THE TUB

EACH BACKREST HAS A LUMBER SUPPORT



HYDRO SYSTEMS, INC.

29132 Avenue Paine, Valencia, CA 91355
 661.775.0686, fax 661.775.0668, www.hydrossystem.com

Note: The information contained on this drawing is the sole property of Hydro Systems, Inc. Any reproduction in part or as a whole without the written permission of Hydro Systems, Inc. is prohibited.

Title: **Metro Collection - Tribeca**

Date: March 3, 2012 Rev: ∅

Scale: None Date:

Material: Hydroluxe Solid Surface, 1/2" nominal thickness