

# TSU935 SPECIFICATIONS

## opus·2 in-wall thermostatic mixer

### FEATURES:

- In-wall thermostatic mixer with 3 port combination: diverter (port 1 & 2) and volume control (port 3.) (Port 1 & 2 can be operated individually or either can be operated in combination with port3. Port 3 can also be operated individually)
- Durable, polished chrome finish & sleek design
- Brass valve body
- NPT connection
- Requires TS935 rough-in

### SPECIFICATIONS:

Warranty: Limited lifetime warranty (residential)  
One year warranty (commercial)

Material: Brass body

Flow rate: 14.0 gpm @ 60 psi

### FINISHES:

Polished chrome

### ACCESSORIES:

Requires rough-in TS935

### INSTALLATION:

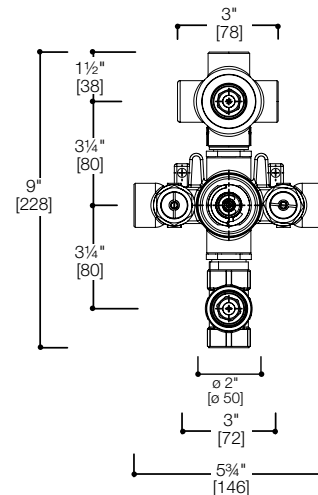
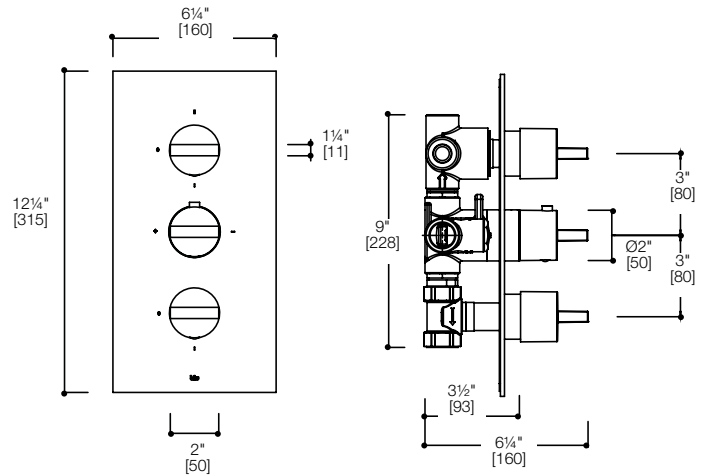
Install this product according to the installation guide.  
Our products must be installed by certified professionals only and according to our installation guide as well as federal, provincial/state and local building codes and regulations.

### CARE AND MAINTENANCE:

See Installation Manual

### CODES / STANDARDS APPLICABLE:

- Meets or exceeds ANSI / ASME standard A112.18.1 and CAN / CSA B125.1-05 requirements
- Listed with IAPMO bearing the UPC / cUPC mark



\*Approximate measurements for comparison only.  
Note: These dimensions and specifications are subject to change without notice.