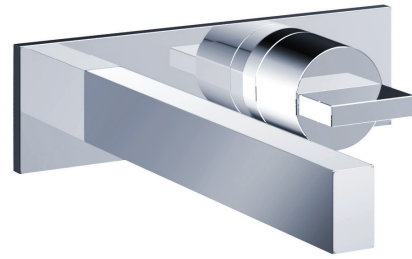


TSU211 SPECIFICATIONS

opus·2 in-wall basin mixer

FEATURES:

- In-wall sequential control basin mixer
- Durable, polished chrome finish and sleek design
- Brass valve body
- 9¾" spout with Neoperl laminar flow aerator
- Ceramic disk valve cartridge for drip-free performance



SPECIFICATIONS:

Warranty:	Limited lifetime warranty (residential) One year warranty (commercial)
Connection:	NPT ½"
Material:	Brass body
Flow rate:	1.5 gpm @ 60 psi
Valve Size:	½"

FINISHES:

Polished chrome

ACCESSORIES:

Requires push button waste TW120 or TW121
Optional spout lengths available (sold separately)

INSTALLATION:

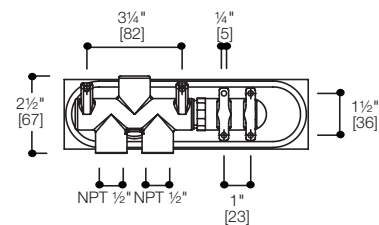
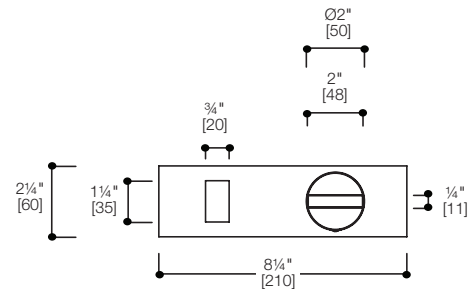
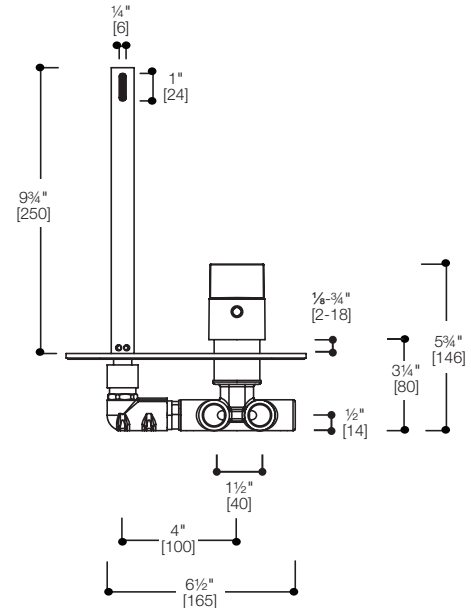
Install this product according to the installation guide.
Our products must be installed by certified professionals only
and according to our installation guide as well as federal,
provincial/state and local building codes and regulations.

CARE AND MAINTENANCE:

See Installation Manual

CODES / STANDARDS APPLICABLE:

- Meets or exceeds ANSI / ASME standard A112.18.1 and CAN / CSA B125.1-05 requirements
- Listed with IAPMO bearing the UPC / cUPC mark
- California AB1953 compliant



AB1953 Compliant

CALGreen

*Approximate measurements for comparison only.
Note: These dimensions and specifications are subject to change without notice.