

TOX102 SPECIFICATIONS

INOX deck-mount single-lever basin mixer

FEATURES:

- Single-hole, deck-mount basin mixer with single-lever handle
- Durable and sleek design
- Stainless steel AISI 304
- 5¼" spout projection
- Less drain

SPECIFICATIONS:

Warranty:	Limited lifetime warranty (residential) One year warranty (commercial)
Connection:	¾" comp
Material:	Stainless steel AISI 304
Flow rate:	1.5 gpm @ 60 PSI
Cartridge type:	Pariffin thermostatic S.T.S.R Italy
Shipping weight:	3.8 lbs (1.75 kg)
Shipping dimensions:	(LWH) 14¾" x 24¼" x 3¾" (375mm x 615mm x 93mm)

FINISHES:

- Satin (-S)
- Polished (-P): tier 2 item (14-16 week lead-time from order confirmation date)

ACCESSORIES:

- Recommend TW120 or TW121 push-button waste (for polished finish)

INSTALLATION:

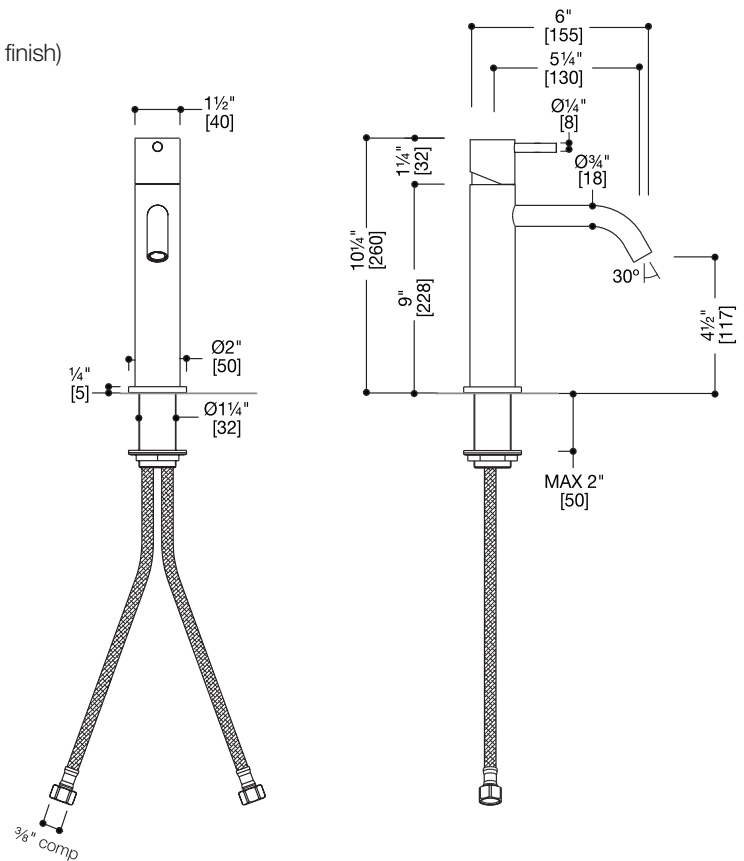
Install this product according to the installation guide. Our products must be installed by certified professionals only and according to our installation guide as well as federal, provincial/state and local building codes and regulations.

CARE AND MAINTENANCE:

See Installation Manual

CODES / STANDARDS APPLICABLE:

- Meets or exceeds ANSI / ASME standard A112.18.1 and CAN / CSA B125.1-05 requirements
- Listed with IAPMO bearing the UPC / cUPC mark
- ADA compliant
- Calgreen compliant
- California AB1953 compliant



ADA **CALGreen** AB1953

*Approximate measurements for comparison only.
Note: These dimensions and specifications are subject to change without notice.