

# TA300R SPECIFICATIONS

## ceiling-mount shower arm

### FEATURES:

- Clean, elegant design
- Solid brass arm
- 11¼" projection from ceiling
- 1¼" arm diameter, 4" round trim
- Coordinating round shower heads available to compliment the pure·2 series

### SPECIFICATIONS:

Warranty: Lifetime Limited Warranty (Residential)  
One Year Warranty (Commercial)

Material: Brass

Connection: ½" NPT connection

### FINISHES:

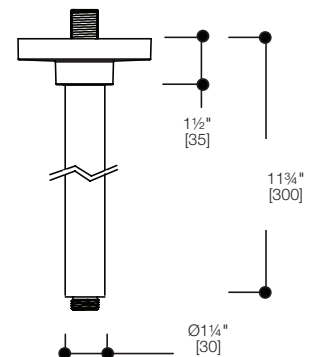
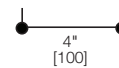
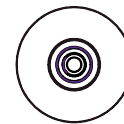
Polished chrome

### CODES / STANDARDS APPLICABLE:

- Meets or exceeds ANSI / ASME standard A112.18.1 and CAN / CSA B125.1-05 requirements
- ASME A112.19.2
- IAPMO / UPC / cUPC

### INSTALLATION:

Install this product according to the installation guide. Our products must be installed by certified professionals only and according to our installation guide as well as federal, provincial / state and local building codes and regulations.



\*Approximate measurements for comparison only.  
Note: These dimensions and specifications are subject to change without notice.