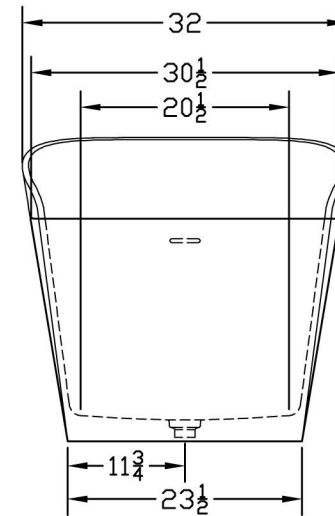
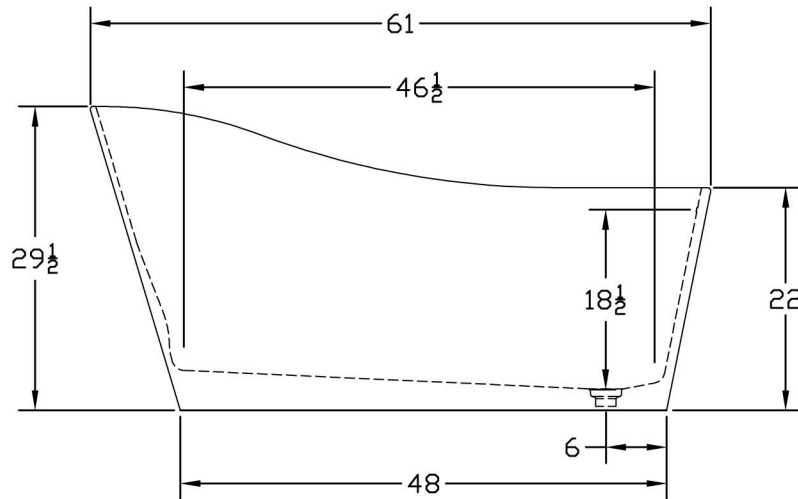


OVERFLOW IS INTEGRAL  
TO THE TUB

BACKREST HAS A LUMBAR  
SUPPORT



# HYDRO SYSTEMS, INC.

29132 Avenue Paine, Valencia, CA 91355  
661.775.0686, fax 661.775.0668, www.hydrossystem.com

Note: The information contained on this drawing is the sole property of Hydro Systems, Inc. Any reproduction in part or as a whole without the written permission of Hydro Systems, Inc. is prohibited.

Title: **Metro Collection - Rodeo**

Date: February 21, 2012 Rev: 1

Scale: None Date:

Material: Acrylic and Fiberglass, 1/4" nominal thickness