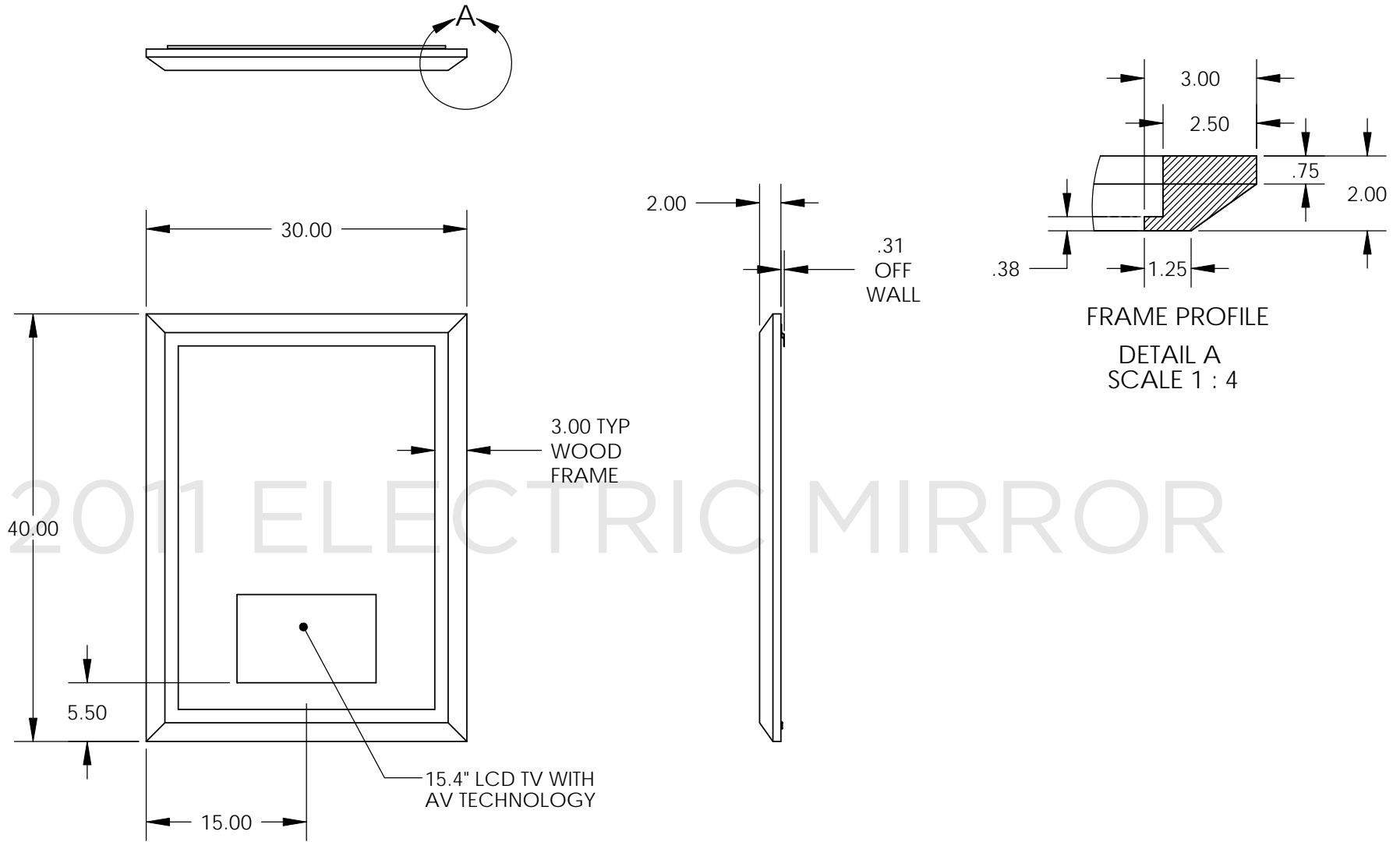


*BY APPROVING THIS DRAWING YOU ARE ENSURING THAT THESE DIMENSIONS HAVE BEEN FIELD VERIFIED.

APPROVED BY: _____ DATE: _____

REVISION REQUESTED



*PATENTED

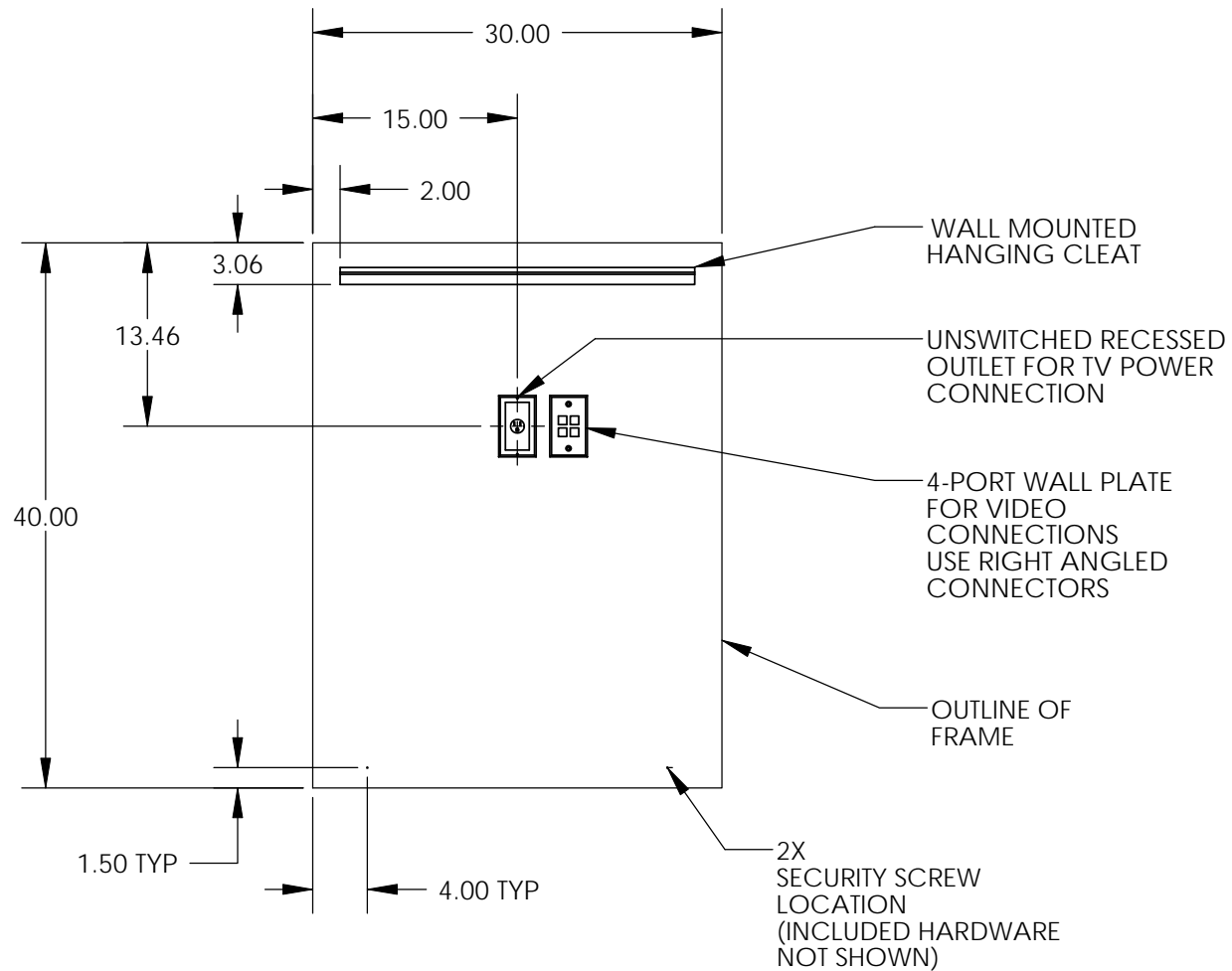
ELECTRIC MIRROR® 2011 STA-154-AV-30.00X40.00

SALES AID - OCTOBER 07, 2009

PROPRIETARY AND CONFIDENTIAL:

THE INFORMATION CONTAINED IN THIS DRAWING IS THE SOLE PROPERTY OF ELECTRIC MIRROR L.L.C. ANY REPRODUCTION IN PART OR AS A WHOLE WITHOUT THE WRITTEN PERMISSION OF ELECTRIC MIRROR L.L.C. IS PROHIBITED. © 2011 ELECTRIC MIRROR

DIMS IN INCHES	REV. A
SCALE: 1:14	PG.1 OF 2
CONTACT US: consultants@electricmirror.com T+1.425.776.4946	



T.V. REQUIREMENTS

INSTALL A 4-PORT WALL PLATE AND RECESSED RECEPTACLE IN WALL. 4-PORT WALL PLATE CAN BE SUPPLIED WITH RF, AUDIO/VIDEO, AND SPEAKER CONNECTIONS. SEE SPEAKER INSTALLATION INSTRUCTIONS FOR MOUNTING LOCATION OF SPEAKER IN CEILING.

ELECTRIC MIRROR[®] 2011 STA-154-AV-30.00X40.00

SALES AID - OCTOBER 07, 2009

PROPRIETARY AND CONFIDENTIAL:

THE INFORMATION CONTAINED IN THIS DRAWING IS THE SOLE PROPERTY OF ELECTRIC MIRROR L.L.C. ANY REPRODUCTION IN PART OR AS A WHOLE WITHOUT THE WRITTEN PERMISSION OF ELECTRIC MIRROR L.L.C. IS PROHIBITED. © 2011 ELECTRIC MIRROR

DIMS IN INCHES	REV. A
SCALE: 1:14	PG.2 OF 2
CONTACT US: consultants@electricmirror.com T+1.425.776.4946	