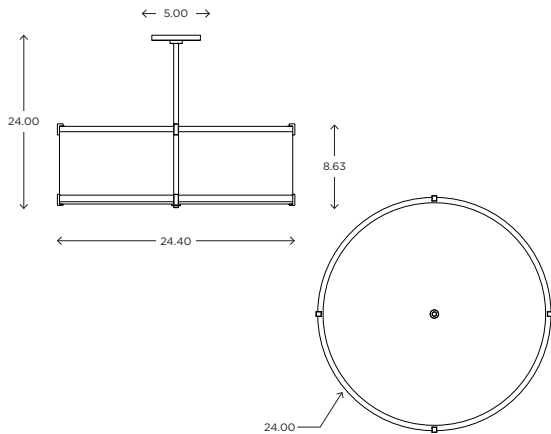


# Litebox 24" PENDANT

## CUSTOM OPTIONS



The Litebox combines subtle elements of classical style with a respect for contemporary simplicity. The result is a fixture that complements almost any architectural space. It is available in custom sizes, levels of trim (with or without crossbars), as a flush mount or pendant, and with custom finishes, diffusers, and lamping.

### DIMENSIONS

24"H x 24.40"D

### LAMPING / VOLTAGE

[3] 100w Max Incandescent Medium Base

[3] 18/26/32w Fluorescent CFL GX24q-3 Base

### FINISH

Polished Nickel, Brushed Nickel,

Oil Rubbed Bronze

### DIFFUSER

Shiny Opal Acrylic

White Washable Linen Available (additional cost)

Customize this fixture to your specific needs



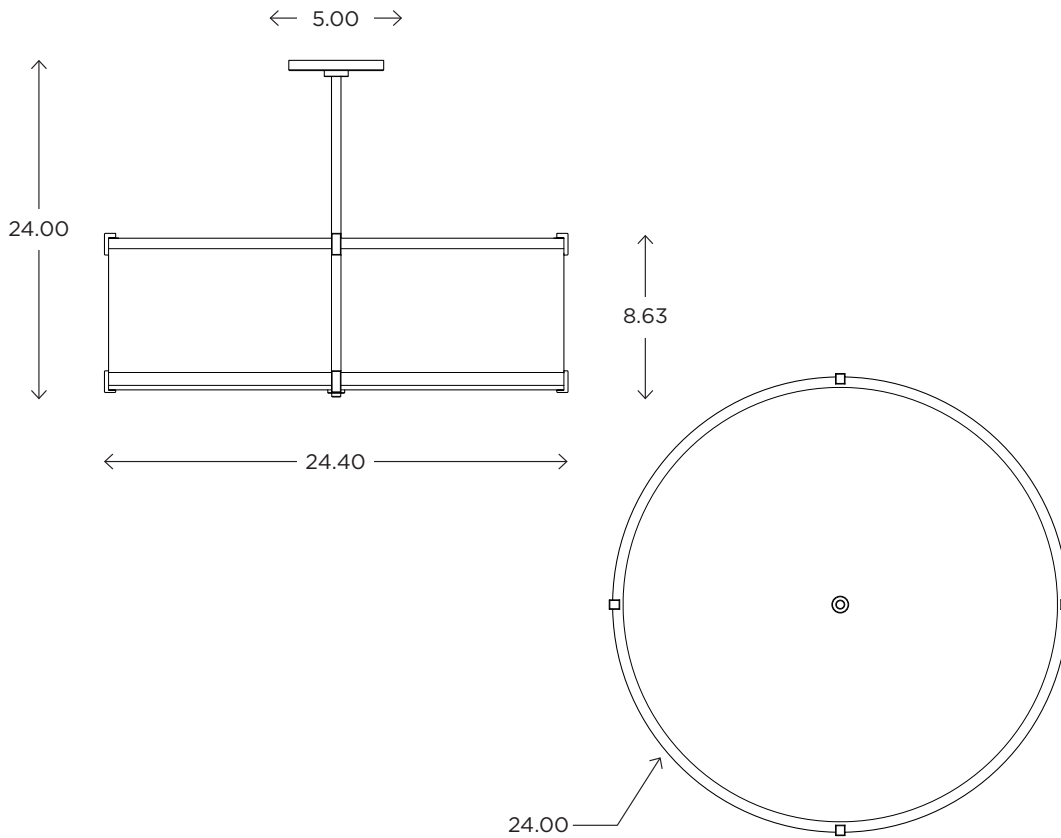
Ayre Architectural Lighting  
14 Bristol Drive, Unit B  
South Easton, MA 02375

Tel 508.205.0545  
Toll Free 877.722.AYRE  
Fax 508.205.0548

[ayrelight.com](http://ayrelight.com)

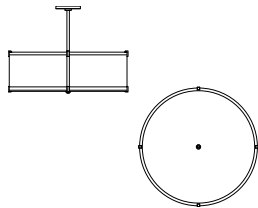
# Litebox 24" PENDANT

## CUSTOM OPTIONS



### MODEL

LITEBOX PENDANT // LBP24



### DIMENSIONS

Height: 24.00  
Width: 24.40

### FIXTURE TYPE

Pendant / P

### DIFFUSER

Shiny Opal Acrylic / SA

### FINISH

Polished Nickel / PN  
Brushed Nickel / BN  
Oil Rubbed Bronze / OB

### CROSSBARS

CROSSBARS / C  
NO CROSSBARS / N

### LAMPING / VOLTAGE

FLUORESCENT / FL  
[3] CFL 18/26/32W  
GX24q-3 120V

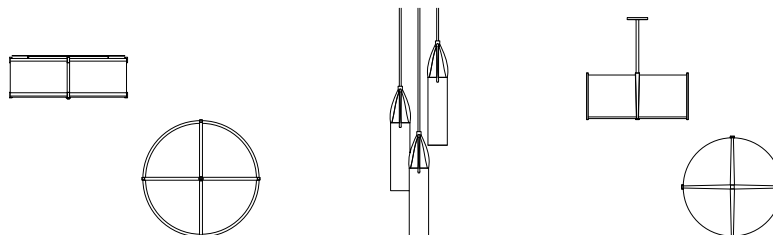
INCANDESCENT / INC  
[3] 100W Medium Base  
120V

### RELATED PRODUCTS

LITEBOX FLUSHMOUNT // LBF24

PETAL PENDANT // PETT

LYRIC PENDANT // LYR24



**Ayre Architectural Lighting**  
14 Bristol Drive, Unit B  
South Easton, MA 02375

**Tel 508.205.0545**  
Toll Free 877.722.AYRE  
Fax 508.205.0548

[ayrelight.com](http://ayrelight.com)