

LW6030 SPECIFICATIONS

coco wall mounted toilet

FEATURES:

- Wall mounted, in wall tank toilet
- Vitreous china
- Dual flush consumption (0.8 gpf / 3 lpf or 1.6 gpf / 6 lpf)
- Elongated bowl
- Powerful, quiet flush every time
- ADA compliant when installed at the required height of 17" (430mm) - 19¼" (489mm)

SPECIFICATIONS:

Water Use:	0.8 gpf (3 lpf) or 1.6 gpf (6 lpf)
Flush System:	Geberit in-wall tank 111.335.00.5 for 2x6 walls 111.728.00.1 for 2x4 walls Geberit items not included
Min. Water Pressure:	20 psi
Water Surface:	5" x 4" (127mm x 102mm)
Warranty:	One Year Limited Warranty
Material:	Vitreous China
Shipping Weight:	40lbs (18kg)*
Shipping Dimensions:	(LWH) 23" x 15¾" x 15" (585mm x 400mm x 385mm)

FINISHES:

White

ACCESSORIES:

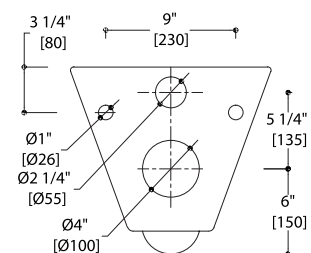
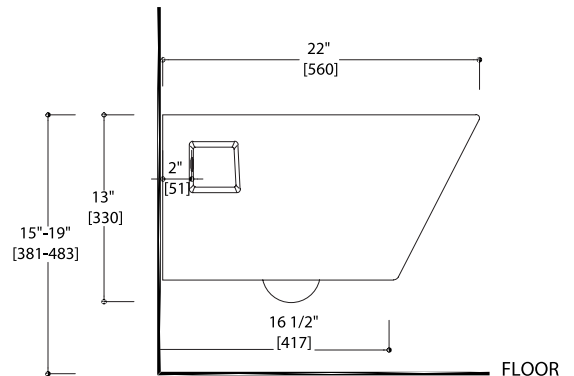
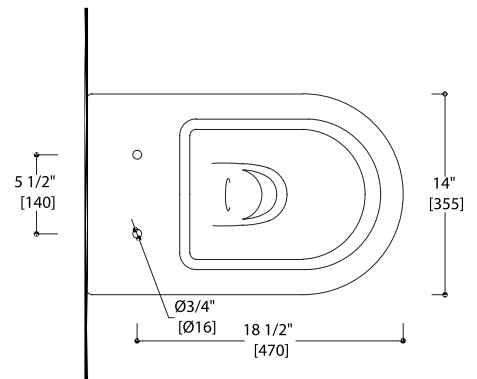
- Geberit tank & actuator flush panels (not included)
- LSeat-005 duroplast, quick release toilet seat (not included)
- LSeat-006 plastic, soft-closing toilet seat (not included)
- Recommend BEMIS commercial, heavy-duty plastic seats:
 - 1955CT: open-front, elongated, seat only
 - 3L2155T: open-front, elongated, seat only with 3" lift hinges & bumpers
- LB9030 coordinating bidet (sold separately)

CODES / STANDARDS APPLICABLE:

- ADA compliant when installed at the required height of 17" (430mm) - 19¼" (489mm)
- Meets or exceeds ANSI / ASME standard A112.19.2 and CAN / CSA B 45 requirements
- ASME A112.19.2.2003
- IAPMO / UPC / cUPC
- ASME A112.19.5-2005 / CSA B125.3-2005
- CSA B45.0; CSA B45.1
- WaterSense & Calgreen compliant

INSTALLATION NOTES:

Install this product according to the installation guide.
Our products must be installed by certified professionals only.
Refer to manufacturer and local codes for flush valve requirements.



*Approximate measurements for comparison only.
Note: These dimensions and specifications are subject to change without notice.