



California Faucets®

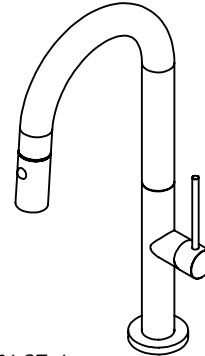
**POETTO™**

**PREP KITCHEN FAUCET**

**Features**

- Solid brass construction
- High-arc 360° rotating spout allows for easy filling of large pots and cleaning
- Magnetic docking secures sprayhead into spout
- One button brass sprayhead has dual function aerated or spray mode
- Spray jets have easy-to-clean surface that withstands mineral build-up
- Quiet polymer-braided hose with rotating joint at sprayhead allows for smooth and non-binding operation
- Ceramic disc cartridge
- 1.8 gpm (6.8 L/min) max flow rate
- Over 30 finishes including 15 PVD finishes

**CF-K50-101-XX**



CF-K50-101-ST shown

XX = DENOTES HANDLE STYLE

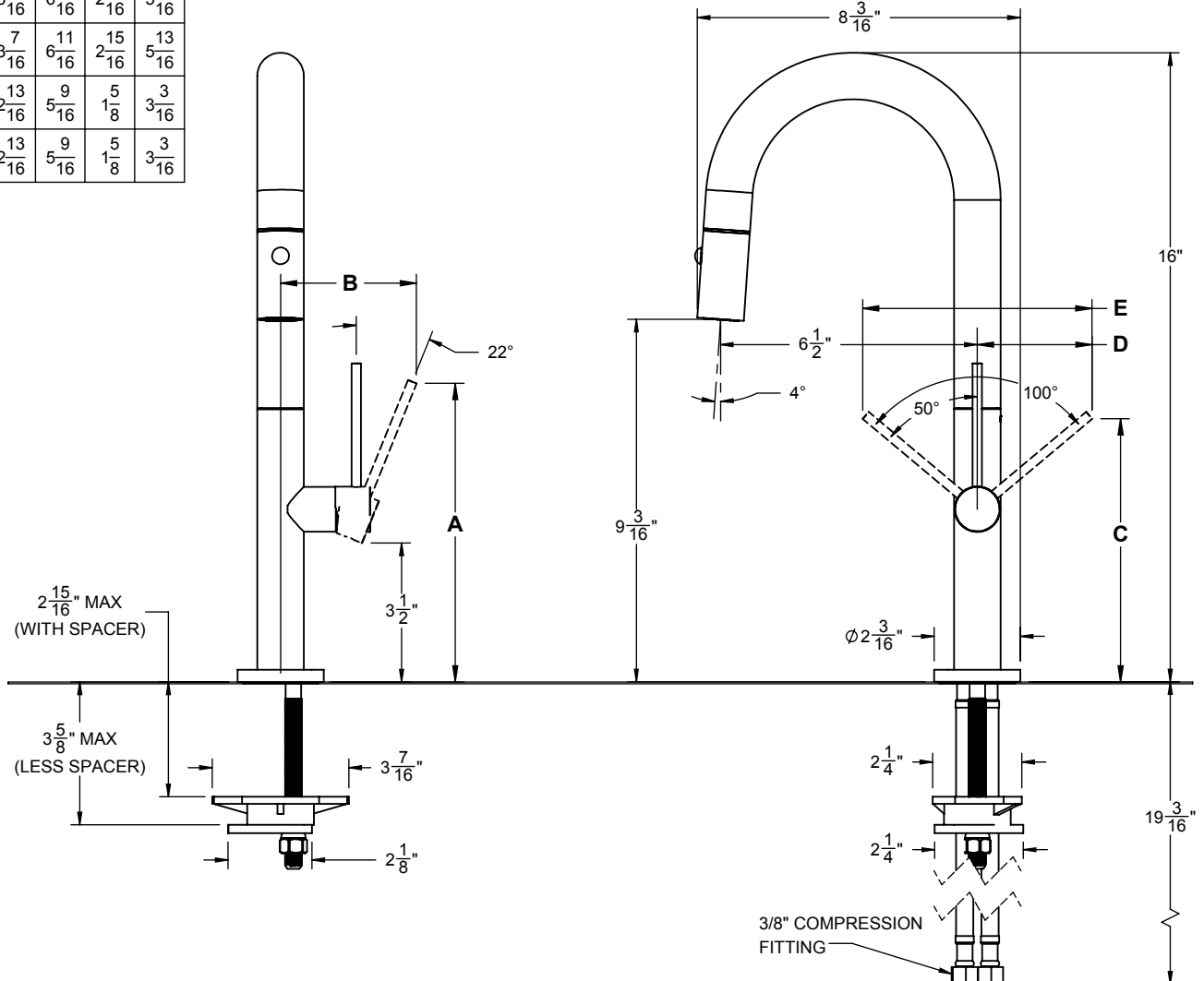
**Codes/Standards Applicable**

Meets or exceeds the following at date of manufacture:

- ASME A112.18.1/CSA B125.1
- NSF 61 and NSF 372

| DIMENSIONS (in.) |                                |                                 |                                  |                                  |                                  |
|------------------|--------------------------------|---------------------------------|----------------------------------|----------------------------------|----------------------------------|
| XX HANDLE        | A                              | B                               | C                                | D                                | E                                |
| ST               | 7 <sup>9</sup> / <sub>16</sub> | 7 <sup>7</sup> / <sub>16</sub>  | 11 <sup>11</sup> / <sub>16</sub> | 15 <sup>15</sup> / <sub>16</sub> | 13 <sup>13</sup> / <sub>16</sub> |
| BST              | 7 <sup>9</sup> / <sub>16</sub> | 7 <sup>7</sup> / <sub>16</sub>  | 11 <sup>11</sup> / <sub>16</sub> | 15 <sup>15</sup> / <sub>16</sub> | 13 <sup>13</sup> / <sub>16</sub> |
| SST              | 6                              | 2 <sup>13</sup> / <sub>16</sub> | 5 <sup>9</sup> / <sub>16</sub>   | 1 <sup>5</sup> / <sub>8</sub>    | 3 <sup>3</sup> / <sub>16</sub>   |
| BSST             | 6                              | 2 <sup>13</sup> / <sub>16</sub> | 5 <sup>9</sup> / <sub>16</sub>   | 1 <sup>5</sup> / <sub>8</sub>    | 3 <sup>3</sup> / <sub>16</sub>   |

| THROUGH-HOLE SPECIFICATIONS |            |           |
|-----------------------------|------------|-----------|
| MIN                         | RECOMENDED | MAX       |
| Ø 1-1/4"                    | Ø 1-3/8"   | Ø 1-9/16" |



ALL DIMENSIONS SHOWN TO NEAREST 1/16"