



Pressure balance valve with stops

## JO51XX



# Specifications

### Descriptions

- ½" male inlet NPT or sweat
- Ceramic cartridge
- Service stop and check valve
- Solid brass

### Available colors

- C : Chrome
- BN : Brushed nickel (PVD)

### Flows

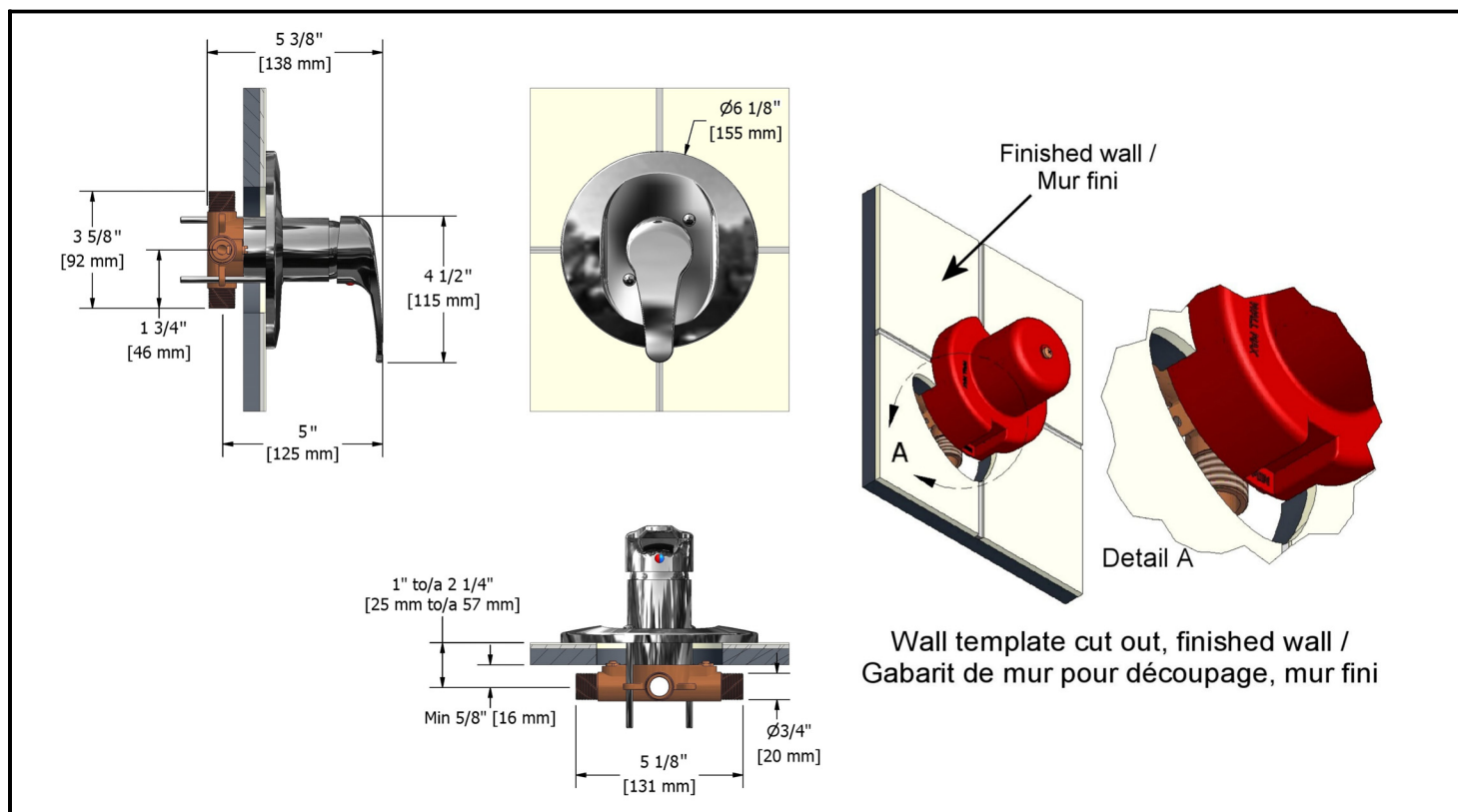
- Max. flow 20 L/min, 5.3 gpm (US) 60psi

### Cartridges

- 401-016 - 405-010

### Certifications

- ASSE 1016
- ASME A112.18.1
- CSA B125.1
- CMR248 Approval



### Warranty

The Riobel inc. product carries a limited LIFETIME warranty on the finish Chrome, Gold (PVD), Brushed nickel (PVD), Night brushed (PVD), Polished nickel (PVD) and all working parts and is guaranteed from the initial date of purchase against all manufacturing defects. Other finished 1 year.

### Customer service

Ontario, West Canada : 888-287-5354 Quebec, Maritimes, United States : 866-473-8442