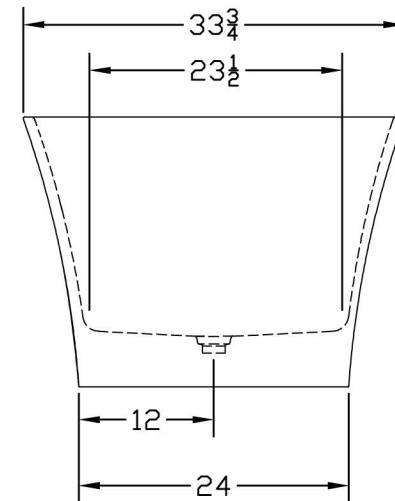
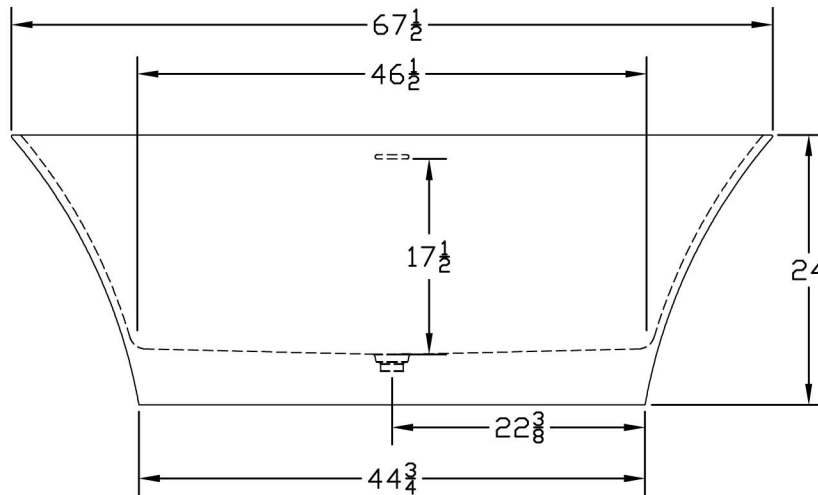


OVERFLOW IS INTEGRAL  
TO THE TUB

EACH BACKREST HAS A  
LUMBAR SUPPORT



# HYDRO SYSTEMS, INC.

29132 Avenue Paine, Valencia, CA 91355  
661.775.0686, fax 661.775.0668, www.hydro-system.com

Note: The information contained on this drawing is the sole property of Hydro Systems, Inc. Any reproduction in part or as a whole without the written permission of Hydro Systems, Inc. is prohibited.

Title: **Metro Collection - Hyde**

Date: March 2, 2012

Rev:  $\emptyset$

Scale: None

Date:

Material: Hydroluxe Solid Surface, 1/2" nominal thickness