

G-6405-LM43

Ametis Collection

Single-Handle Vessel Lavatory Faucet

GRAFF[®]
CUTTING EDGE DESIGN



Product Features

- Single-hole installation
- Aerated flow rate ~1.5 gpm @ 60 psi
- Swivel aerator
- 5-1/2" spout projection
- **Drain assembly sold separate**

Available Finishes

- Polished Chrome
G-6405-LM43-PC
- Architectural Black™
G-6405-LM43-BK*
- Architectural White
G-6405-LM43-WT*

Code Compliance

- ADA

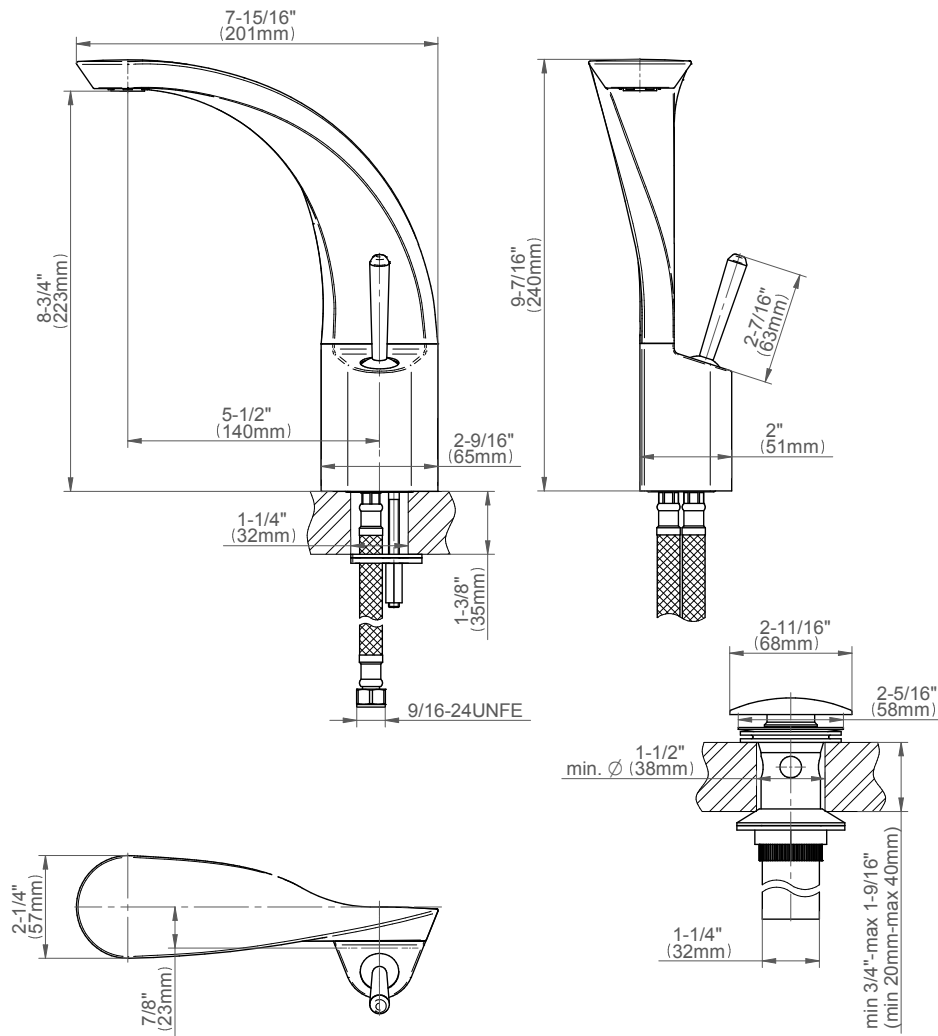
Optional Accessories

- Matching decorative trap
G-9970

Warranty

- Limited lifetime warranty

For complete warranty information go to www.graff-faucets.com/en-nam/warranty



The measurements shown are for reference only. Products and specifications shown are subject to change without notice. Revised 3/2013.

www.graff-faucets.com | phone: 800-954-4723