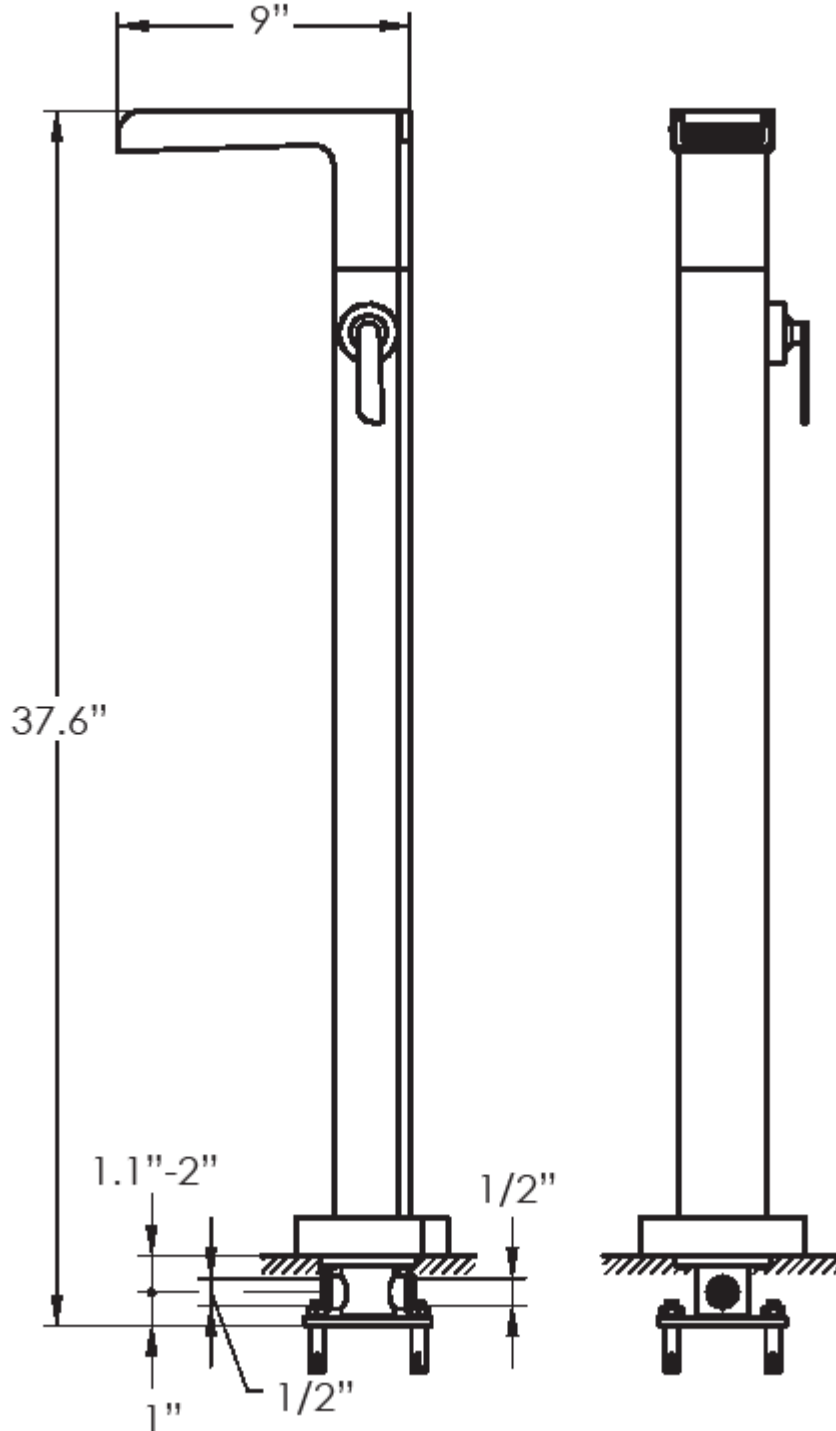


# ARTOS<sup>®</sup>

## Kascade Floor Mounted Tub Filler

### F802-1



**WESTOVER**  
COMPANY

5708 F Street · Omaha, NE 68117  
PH 402-397-3344 · FX 402-731-1473  
[www.artos-westover.com](http://www.artos-westover.com)