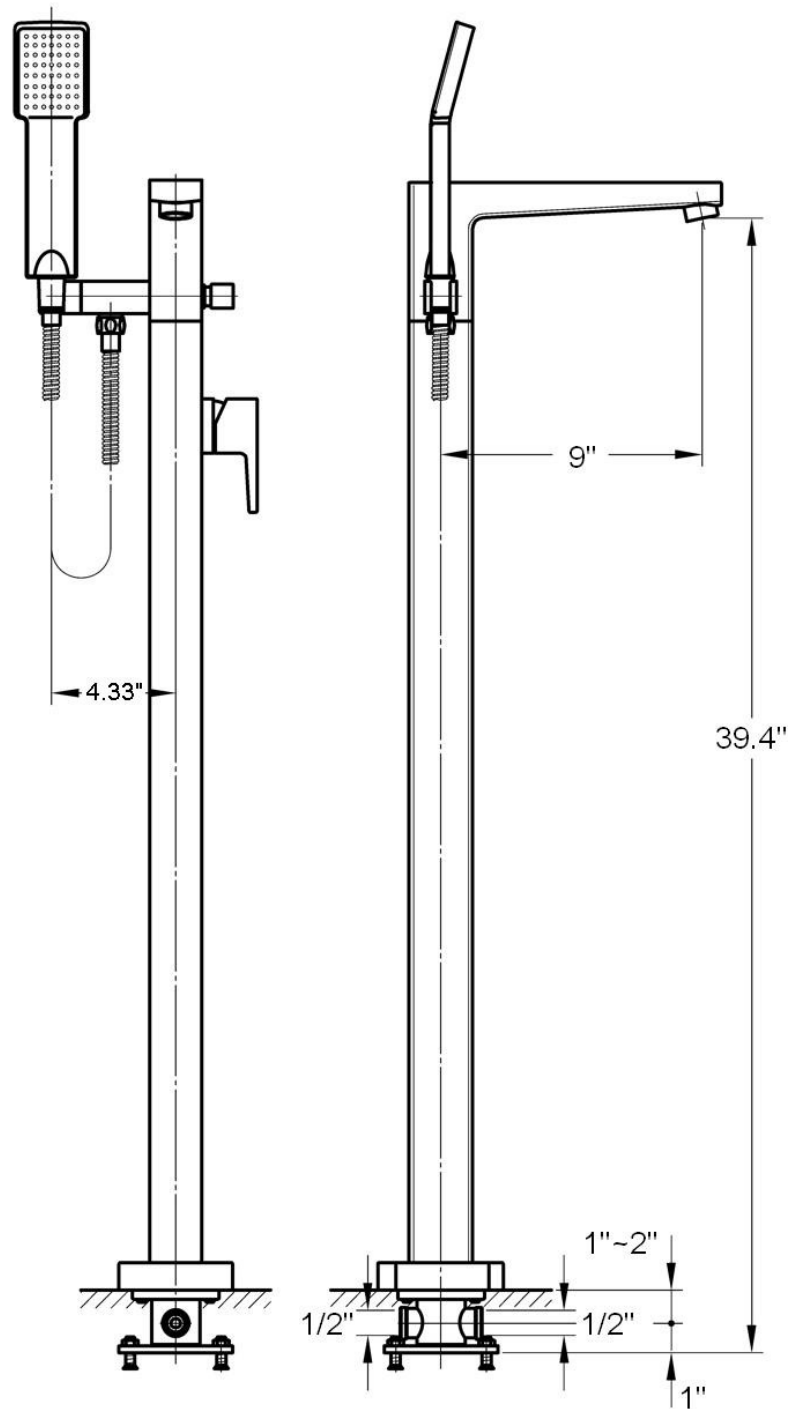


ARTOS[®]

Safire Floor Mounted Tub Filler

F702-1



WESTOVER
COMPANY

5708 F Street · Omaha, NE 68117
PH 402-397-3344 · FX 402-731-1473
www.artos-westover.com