

CADENCE

Two-Piece Toilet

CT-3170

Product Features

- Vitreous china two-piece toilet, with skirted trapway
- ADA chair-height (16-1/2"), elongated bowl
- EPA WaterSense, high-efficiency toilet (HET)
- Anti-microbial, non-staining porcelain glaze
- 12" rough-in

Hyperion™ Flushing System

- High-performance flush, low water consumption
- Fully-glazed, 2-1/8" internal trapway
- Oversized 3" flush valve
- Large water surface area and optimized rim jets, for an exceptionally clean bowl

Accessories Included



- Premium Duroplast toilet seat with slow-close hinges
- Solid metal trip lever
- Solid metal bolts and caps (2 each)

Quality Assurance

- Factory flush-tested
- 2-year product warranty

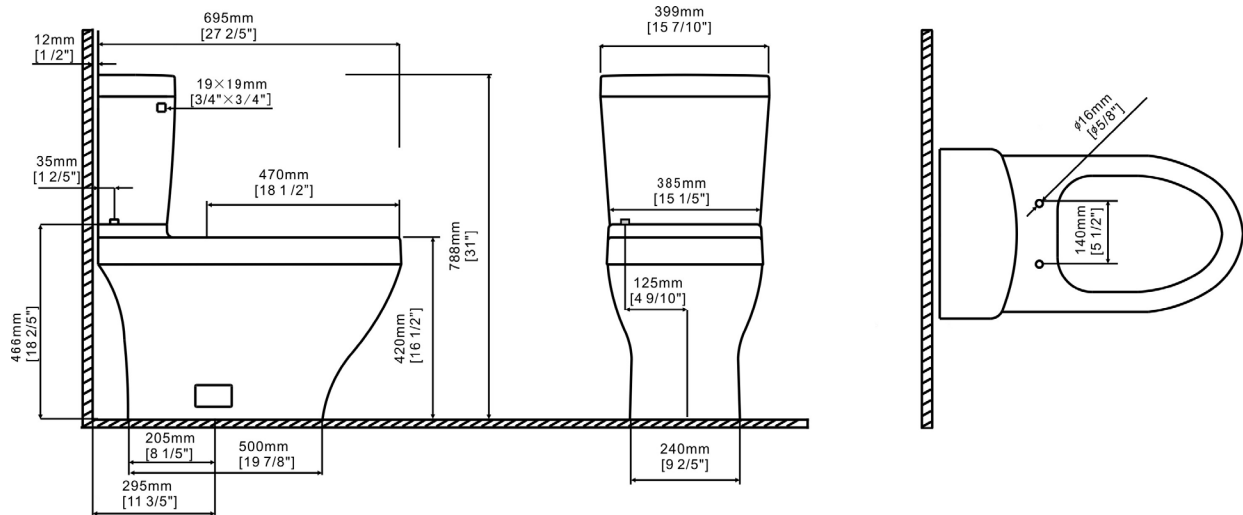


| Flush Action | Water Consumption | Trapway Diameter | Water Surface Area |
|-----------------------|---------------------------|------------------|--------------------|
| Hyperion Gravity Feed | 1.28 gallons (4.8 liters) | 2-1/8" | 9" x 7" min. |

| Available Options | | | |
|---|---|---|---|
| Porcelain Glaze | | Toilet Seat | |
| <input type="checkbox"/> .00 – White (Standard) | <input type="checkbox"/> .06 – Biscuit | <input type="checkbox"/> .00 – White (Standard) | <input type="checkbox"/> .06 – Biscuit |
| Tank Lever Style | | Metal Finish | |
| <input type="checkbox"/> F-70 (Standard) | <input type="checkbox"/> F-75 | <input type="checkbox"/> .500 – Chrome (Standard) | <input type="checkbox"/> .502 – Polished Nickel |
|  |  | <input type="checkbox"/> .503 – Satin Nickel | <input type="checkbox"/> .504 – Polished Brass |
| | | <input type="checkbox"/> .520 – White Enamel | |

CADENCE

Chair-Height, Elongated Two-Piece Toilet
C-3170 / T-3170



Product Color Options



.00 – White



.06 – Biscuit

Metal Finish Options



.500 – Polished Chrome



.502 – Polished Nickel



.504 – Polished Brass



.503 – Satin Nickel



.520 – White Enamel

Nominal Dimensions

- 27-2/5" x 15-7/10" x 31"
- 695 x 400 x 790 mm

THIS TOILET IS DESIGNED TO ROUGH-IN AT A MINIMUM DIMENSION OF 305 mm (12") FROM FINISHED WALL TO C/L OF OUTLET. DIMENSION SHOWN FOR LOCATION OF SUPPLY IS SUGGESTED.

Compliance Certifications

Meets or exceeds the following specifications:

- ASME A112.19.2M
- CSA B45.1
- EPA WaterSense high-efficiency toilet (HET)



Meets the Americans With Disabilities Act guidelines and ANSI A117.1 requirements for accessible building facilities. Check local codes.

IMPORTANT: Dimensions of fixtures are nominal and may vary within the range of tolerance established by NSI Standard A112.19.2. These measurements are subject to change or cancellation. No responsibility is assumed for use of superseded or voided pages.