

BT0406 SPECIFICATIONS

halo blu-stone™ freestanding bathtub

FEATURES:

- Freestanding one-piece blu-stone™ bathtub
- Streamlined, high profile design
- Made of blu-stone™ providing the look and feel of natural stone
- Stronger and more durable than acrylic
- Non-porous, stain resistant surface that does not require sealing
- Does not promote bacteria, mold or fungi
- Tailpiece not included
- Includes integral slot overflow & matching blu-stone™ waste cover

SPECIFICATIONS:

Basin Area:	31½" (800mm) x 19¾" (762mm)*
Top Area:	63" (1600mm) x 30" (760mm)*
To Overflow:	3⅞" (84mm)*
Water Depth:	13⅞" (352mm)
Slope of Backrest:	25°/38°*
Capacity:	55G (210L)*
Weight:	284lbs(129kg)*
Hot water supply req'd:	Should be 70% of water capacity of tub or greater
Warranty:	Five Year Warranty (Residential use) One Year Warranty (Commercial use)
Material:	blu-stone™
Shipping Weight:	417lbs (189kg)*
Shipping Dimensions:	(LWH) 67" x 34" x 28" (1700mm x 860mm x 710mm)*

FINISHES:

White Matte as standard
Matte / Gloss / Embossed finishes available
Custom colors available - special order

ACCESSORIES

blu-stone™ waste cover

INSTALLATION NOTES:

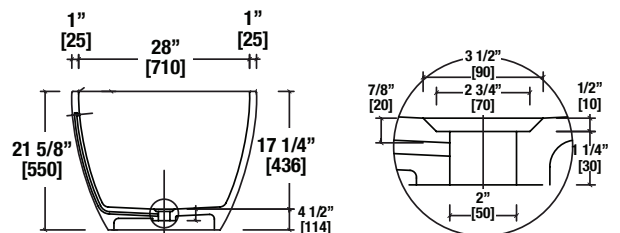
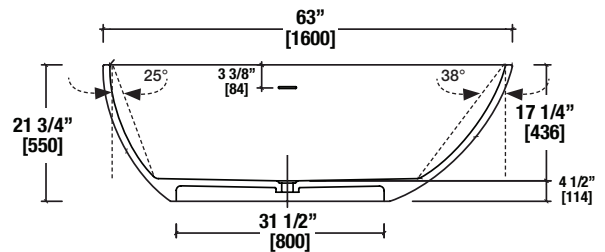
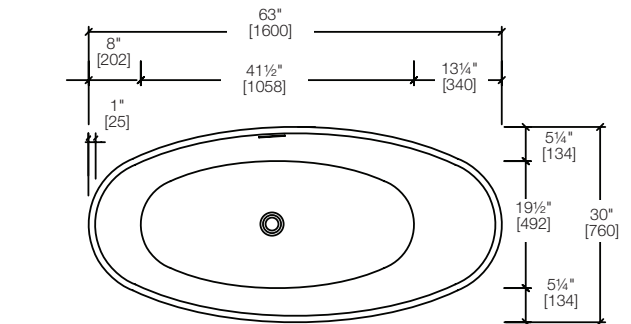
Install this product according to the installation guide.
Floor support under bath must provide for a minimum of 1600 lbs (725kg). Installation will vary. Our products must be installed by certified professionals only and according to our installation guide as well as federal, provincial / state and local building codes and regulations

CODES / STANDARDS APPLICABLE:

- Meets or exceeds ANSI / ASME standard Z124.1.2 and CAN / CSA B 45 requirements
- IAPMO / UPC / cUPC



*Approximate measurements for comparison only.
Note: These dimensions and specifications are subject to change without notice.



BT0408 SPECIFICATIONS

halo blu-stone™ freestanding bathtub

FEATURES:

- Freestanding type one-piece blu-stone™ bathtub
- Streamlined, high profile one piece design
- Made of blu-stone™ providing the look and feel of natural stone
- Stronger and more durable than acrylic
- Non-porous, stain resistant surface that does not require sealing
- Does not promote bacteria, mold or fungi
- Tailpiece not included
- Includes integral slot overflow & matching blu-stone™ waste cover

SPECIFICATIONS:

Basin Area:	45¾" (1160mm) x 20¼" (520mm)*
Top Area:	71" (1800mm) x 31½" (800mm)*
To Overflow:	4" (100mm)*
Water Depth:	16" (406mm)*
Slope of Backrest:	21.5°/30.5°*
Capacity:	76G (287L)*
Weight:	399lbs(181kg)*
Hot water supply req'd:	Should be 70% of water capacity of tub or greater
Warranty:	Five Year Warranty (Residential use) One Year Warranty (Commercial use)
Material:	blu-stone™
Shipping Weight:	540lbs (245.5kg)*
Shipping Dimensions:	(LWH) 73" x 34" x 29" (1860mm x 860mm x 730mm)*

FINISHES:

- White Matte as standard
- Matte / Gloss / Embossed finishes available
- Custom colors available - special order

ACCESSORIES

- blu-stone™ waste cover

INSTALLATION NOTES:

Install this product according to the installation guide. Floor support under bath must provide for a minimum of 1600 lbs (725kg). Installation will vary. Our products must be installed by certified professionals only and according to our installation guide as well as federal, provincial / state and local building codes and regulations

CODES / STANDARDS APPLICABLE:

- Meets or exceeds ANSI / ASME standard Z124.1.2 and CAN / CSA B 45 requirements
- IAPMO / UPC / cUPC



*Approximate measurements for comparison only.
Note: These dimensions and specifications are subject to change without notice.

