



Cube

BC 02

inch 72x36x24 mm 1829x914x610

interior dimensions

rim: inch 58x26 mm 1473x660
 base: inch 48x25 mm 1219x635
 height: inch 20 mm 508

capacity to overflow

gal (us) - 82 liters - 310

weight

lb - 286 kg - 130

installation

1 wall, 2 walls or 3 walls

accessory

cedar bridge wenge shade

material

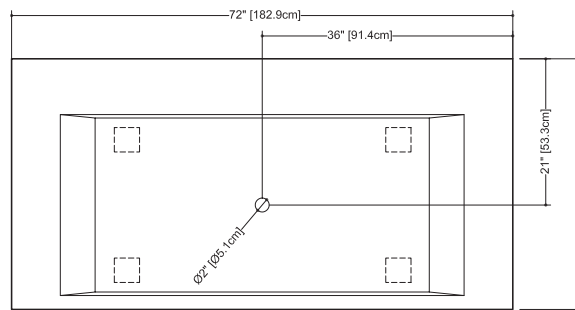
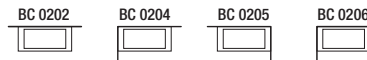
WETMAR™, glossy or mat finish

color

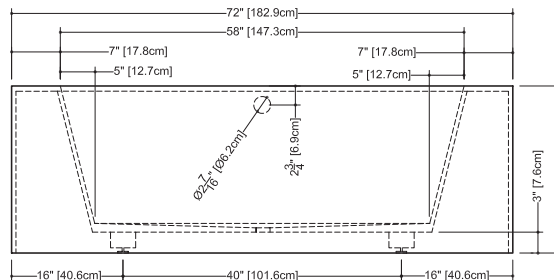
white

codes/standards applicable

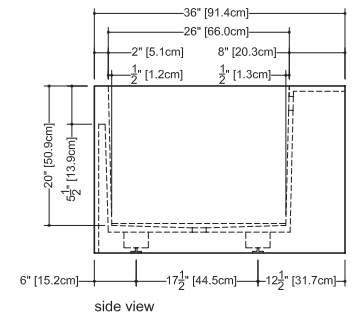
ANSI Z124.1 – ANSI Z124.3
 CSA B 45.0 – CSA B45.4



plan view



front view



side view

WETSTYLE cannot be held responsible for any technical errors and reserves the right to make revisions without notice.

Approximate measurement.
 The manufacturer accept 1/4 (6.35mm) variance.

www.WETSTYLE.CA - Montreal - Canada
 Tel. 450.536.9000 - 1 888.536.9001 - Fax. 450.536.0202



Cube

BC 02

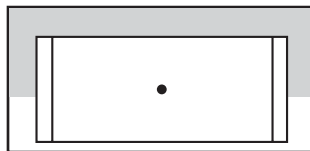
inch 72x36x24 mm 1829x914x610

■ **overflow & drain**
35" longneck waste
and overflow from Geberit
not included

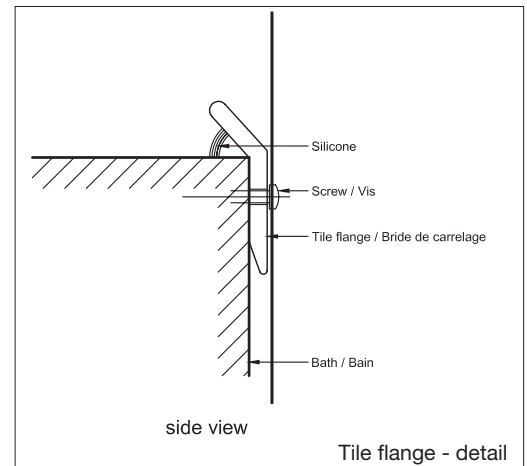
■ **faucet area recommended**
bath deck
or floor-mounted

wide-deck bathtub;
wall shower installation
is not recommended

* Due to multiple possibilities,
faucet holes must be drilled by the plumber.



■ Faucet installation zone



side view

Tile flange - detail

Bathtubs installation supplies

A tile flange will be supplied to comply with the requested position. Installed at the factory to prevent water leakage, this must be placed directly on the partition framing prior to the installation of drywall.

WETSTYLE cannot be held responsible for any technical errors and reserves the right to make revisions without notice.

Approximate measurement.
The manufacturer accept 1/4 (6.35mm) variance.

www.WETSTYLE.CA - Montreal - Canada
Tel. 450.536.9000 - 1 888.536.9001 - Fax. 450.536.0202

