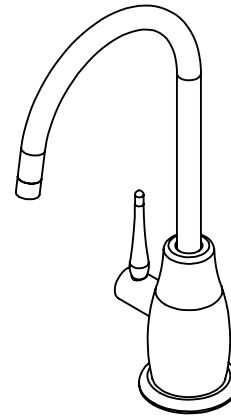




### Features

- Solid brass construction
- 360° rotating spout
- Insulated body and spout to reduce heat transfer to faucet
- Self-closing handle
- Flow rate: 0.5 gpm (1.9 L/min)
- Over 30 finishes including 15 PVD finishes
- Requires 9628 Heating Tank (sold separately)

# CF-9625-K80



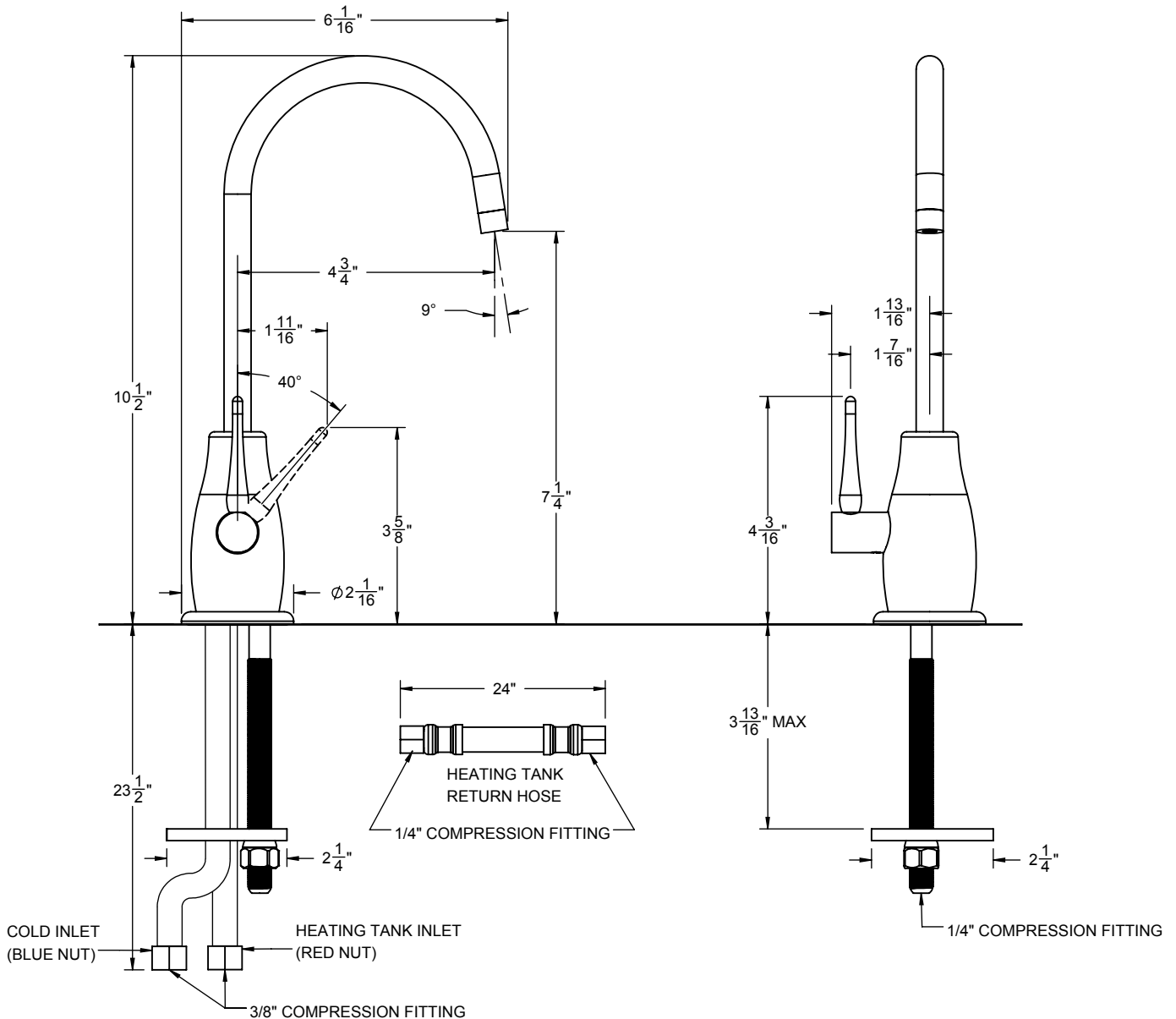
### Codes/Standards Applicable

Meets or exceeds the following at date of manufacture:

- ASME A112.18.1/CSA B125.1
- NSF 61 and NSF 372

#### THROUGH-HOLE SPECIFICATIONS

MIN	RECOMMENDED	MAX
Ø 1-1/4"	Ø 1-3/8"	Ø 1-1/2"



ALL DIMENSIONS SHOWN TO NEAREST 1/16"