



California Faucets®

KITCHEN

CONTEMPORARY HOT ONLY WATER DISPENSER

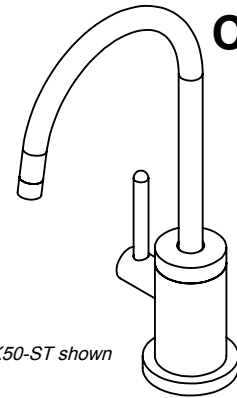
Features

- Solid brass construction
- 360° rotating spout
- Insulated body and spout to reduce heat transfer to faucet
- Self-closing handle
- Flow rate: 0.5 gpm (1.9 L/min)
- Over 30 finishes including 15 PVD finishes
- Requires 9628 Heating Tank (sold separately)

Codes/Standards Applicable

Meets or exceeds the following at date of manufacture:

- ASME A112.18.1/CSA B125.1
- NSF 61 and NSF 372



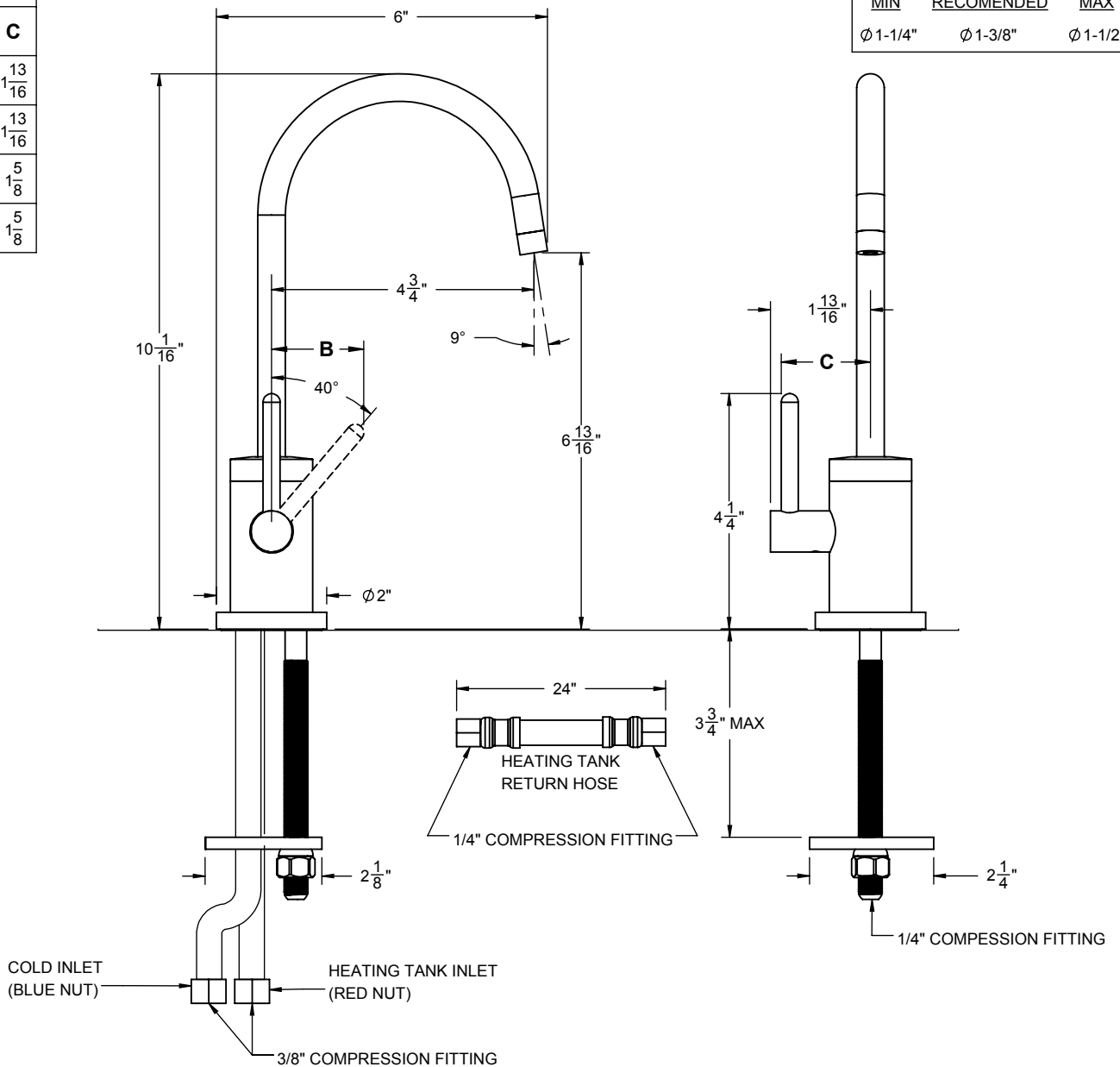
CF-9625-K50-XX

CF-9625-K50-ST shown

XX = DENOTES HANDLE STYLE

DIMENSIONS (in.)			
XX HANDLE	A	B	C
FB	3 3/4"	3 1/4"	13 1/16"
BFB	3 3/4"	3 1/4"	13 1/16"
ST	11 3/16"	11 1/16"	5 1/8"
BST	11 3/16"	11 1/16"	5 1/8"

THROUGH-HOLE SPECIFICATIONS		
MIN	RECOMENDED	MAX
Ø 1-1/4"	Ø 1-3/8"	Ø 1-1/2"



ALL DIMENSIONS SHOWN TO NEAREST 1/16"