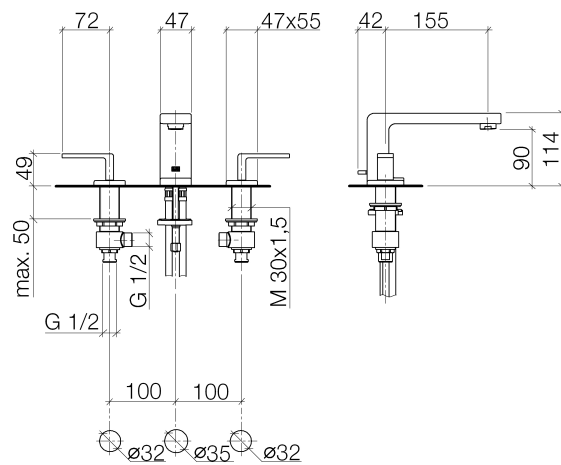




**Product specifications**

- **6 1/8" projection**
- Fixed spout
- M 24 x 1 aerator – male thread
- Total height 4 1/2"
- Height to aerator/spout outlet 3 1/2"
- Deck valves with 2x xControl ceramic disc cartridges 1/2"
- 2x M 10 x 1/2" screw-in high pressure hose
- Compression connectors
- **US drain with overflow**
- Water flow rate limited to max. 1.5 gpm
- low lead compliant
- Individual flanges 1 7/8" x 2 1/8"

[ADA]

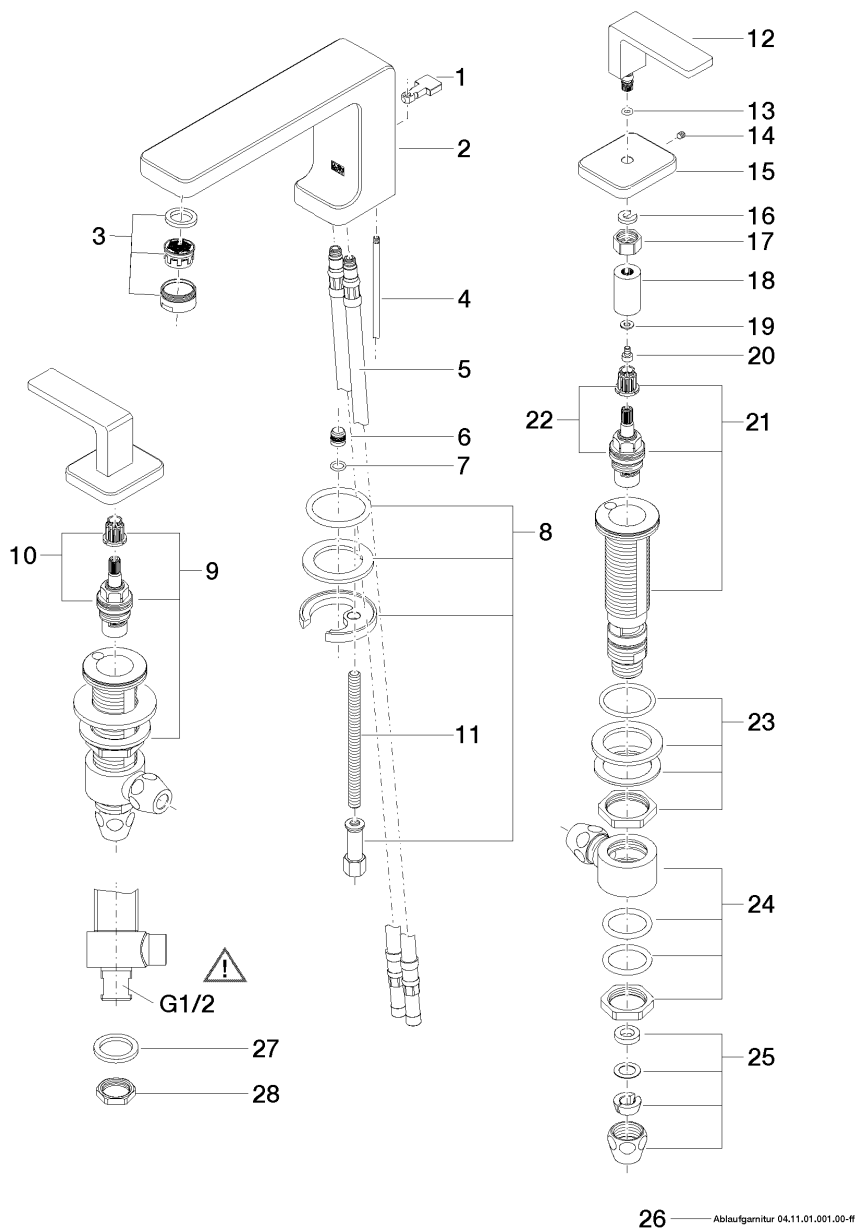




**Surfaces**

- chrome 20713710-000010
- chrome 20713710-000010
- matt platinum 20713710-060010
- matt platinum 20713710-060010

**Exploded assembly drawing**



**Order quantity**

<b>No.</b>	<b>Article number</b>	<b>Name</b>	<b>Installation quantity</b>
1	092071033ff	handle	1
2	09117109510ff	spout	1
3	90230111803ff	aerator	1
4	093109080ff	pull-rod	1
5	0430040180090	hose	2
6	09312005290	plug	1
7	09141006190	seal	1
8	0430110387590	fixing set	1
9	0417110455390	side panel	1
10	9090031530090	top	1
11	09311101290	pin	1
12	092071005ff	handle	2
13	09141020790	seal	2
14	09311100790	pin	2
15	092771013ff	rosette	2
16	09301108790	disc	2
17	09231004590	nut	2
18	09121202290	base	2
19	09301102490	disc	2
20	09303003190	screw	2
21	0417110455290	side panel	1
22	9090031520090	top	1
23	0423100327890	fixing set	2
24	0417110231090	distributor	2
25	04233004000ff	threaded connector	2
26	04110102300ff	pop-up waste	1
27	09301105990	disc	2
28	09231001290	nut	2

