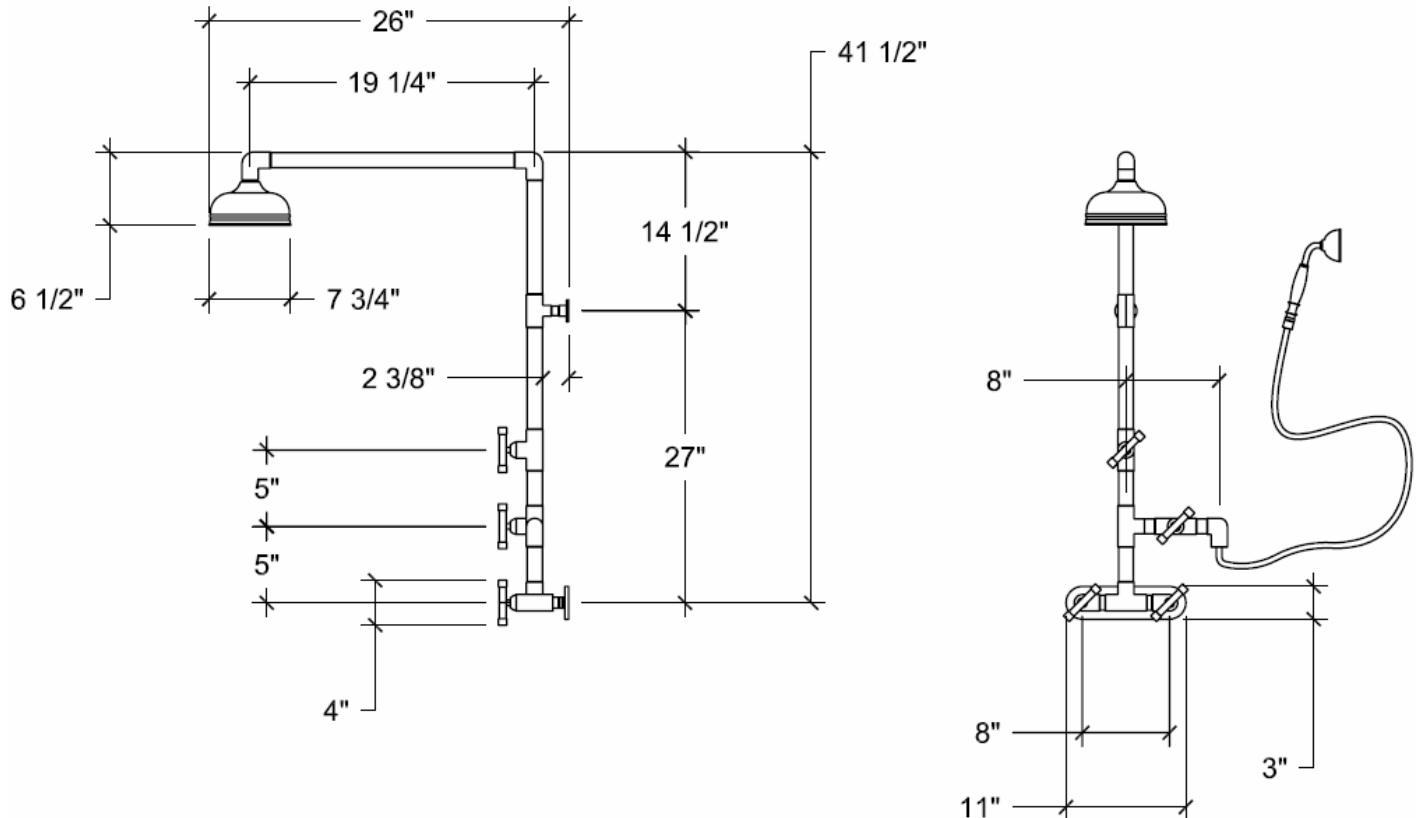




Version 2 - 2008

## PRODUCT SPECIFICATIONS

### WATERBRIDGE EXPOSED SHOWER – MODEL 850 (was WB SH 3H) *NEW DESIGN* - 4 HANDLE WITH HANDSHOWER



### FACTS

Solid Copper Construction, piping is 1-3/8" O.D.

1/2" Quarter-turn Ceramic Cartridges

Hand Shower w/shut-offs (old model has diverter)

Installs directly to 1/2" copper supply lines w/Compression Fitting

IAPMO Approved

Available in Four Standard Finishes (WaterBridge Collection)

Rustic Copper    Oil Rubbed Bronze

Rustic Nickel    Pizzazz Nickel

*(Note: Dimensions for current inventory may vary slightly from those shown above)*



Version 2 - 2008

**WATERBRIDGE EXPOSED SHOWER – MODEL 850 (was WB SH 3H)**  
***NEW DESIGN* - 4 HANDLE WITH HANDSHOWER**

**SHOWER SHIPS IN THREE PIECES; BODY, ARM, HEAD, HAND SHOWER,  
AND MISC. PARTS SHOWN BELOW**



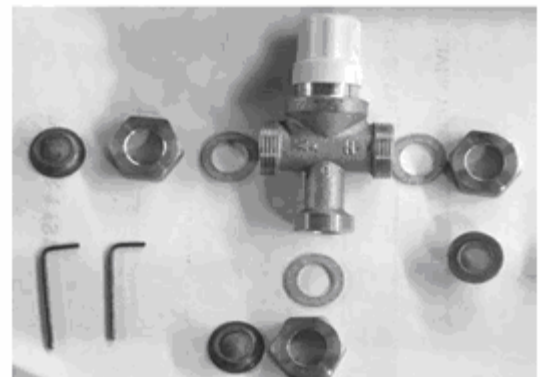
**HAND SHOWER**



**MOUNTING PLATE**



**SHOWER HEAD SPACER  
& MOUNTING SCREWS**



**WATTS ANTI-SCALD MIXING VALVE**

**NOTE: Old Model Shown Above  
with diverter valve (new model has 2  
shut-off valves)**