

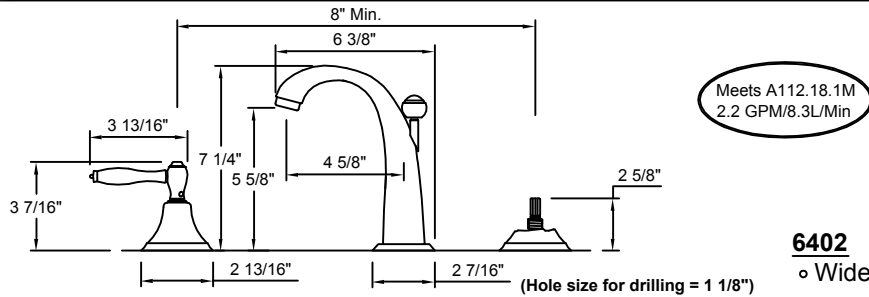
64 Series Specifications

"MENDOCINO"

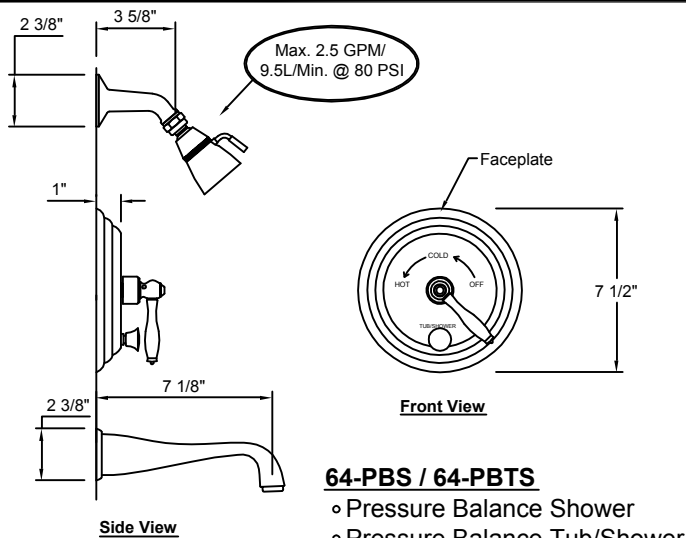


All California Faucets lever and blade handle products are American Disability Act (ADA) compliant.

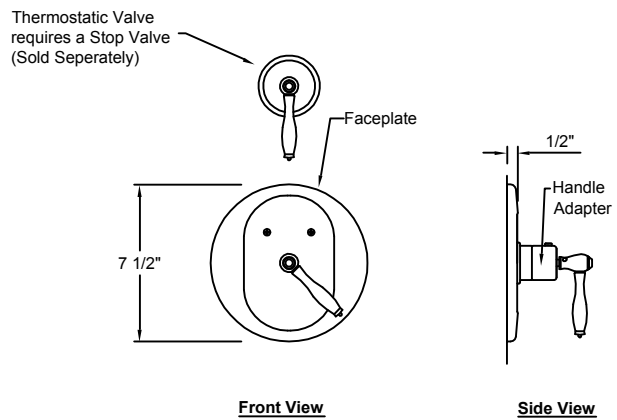
California Faucets reserves the right to make modification and specification changes at any time. Please verify dimensions prior to installation. Visit www.calfaucets.com for most current technical data.



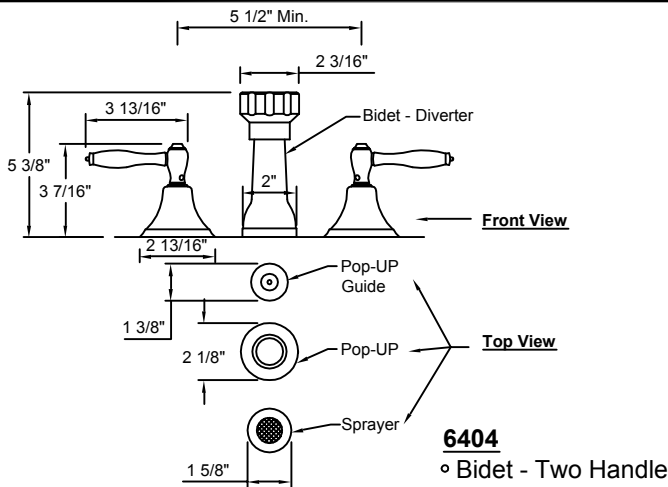
6402
◦ Widespread



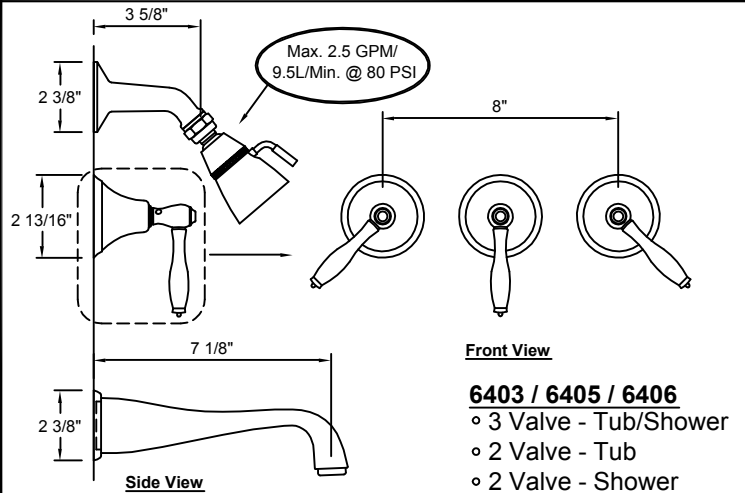
64-PBS / 64-PBTS
◦ Pressure Balance Shower
◦ Pressure Balance Tub/Shower



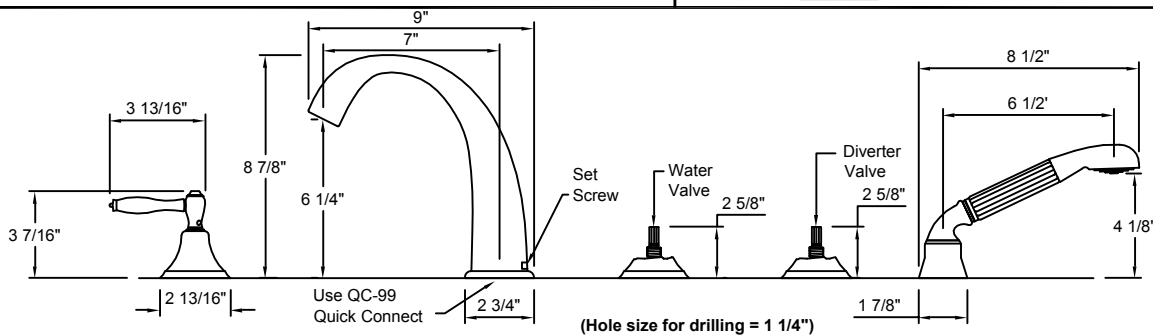
TH-150-64 / TH-175-64
◦ Thermostatic Valve - Single Handle Shower



6404
◦ Bidet - Two Handle



6403 / 6405 / 6406
◦ 3 Valve - Tub/Shower
◦ 2 Valve - Tub
◦ 2 Valve - Shower



6408 w/ 64.1
◦ Roman - w/ Optional Hand Held Shower