

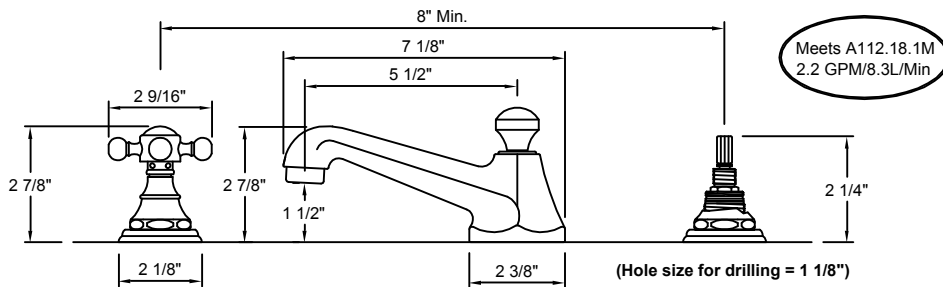
60 Series Specifications

"DEL MAR"

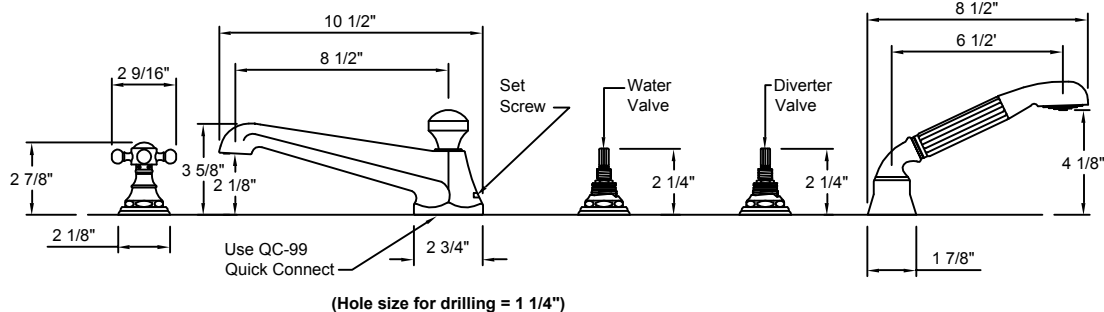
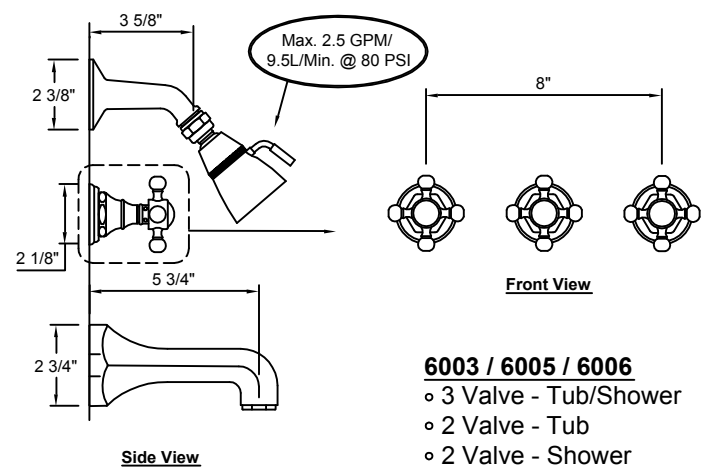
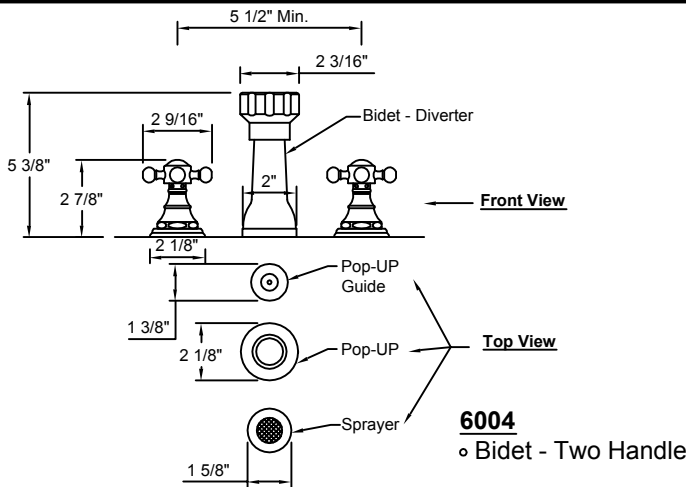
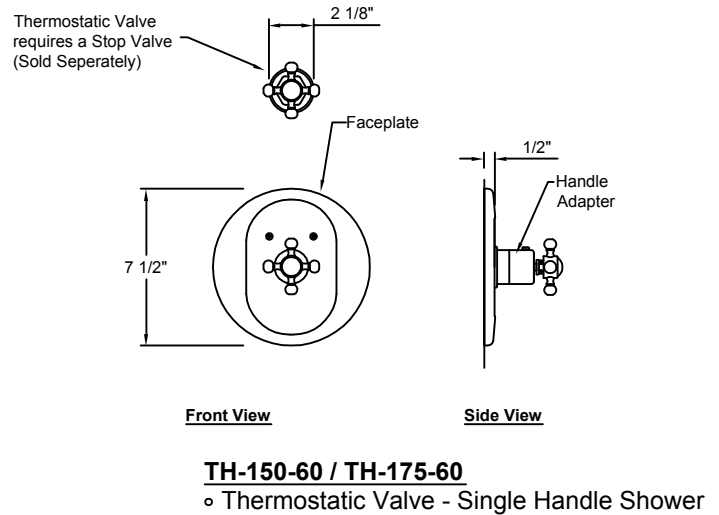
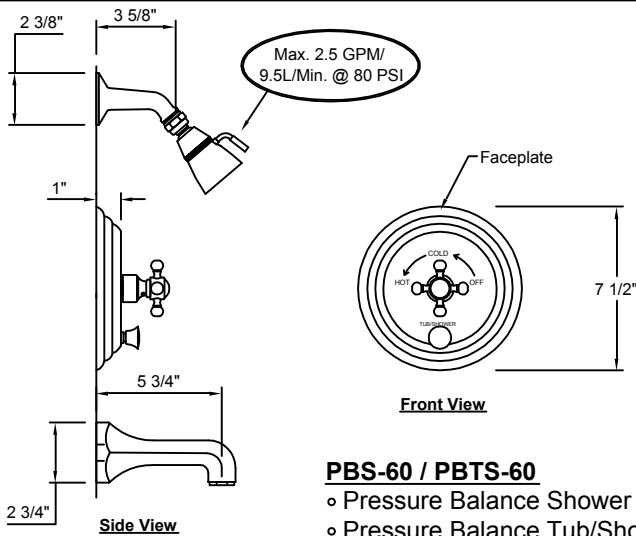


All California Faucets lever and blade handle products are American Disability Act (ADA) compliant.

California Faucets reserves the right to make modification and specification changes at any time. Please verify dimensions prior to installation. Visit www.calfaucets.com for most current technical data.



6002
 ◦ Widespread



6008 w/ 60.1
 ◦ Roman - w/
 Optional Hand
 Held Shower