

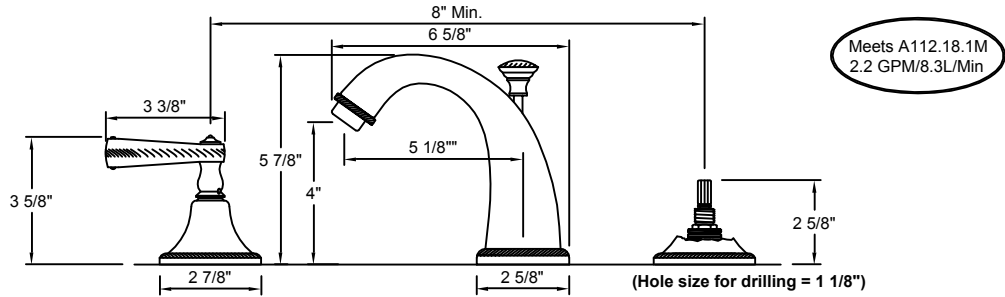
58 Series Specifications

"SANTA MONICA"

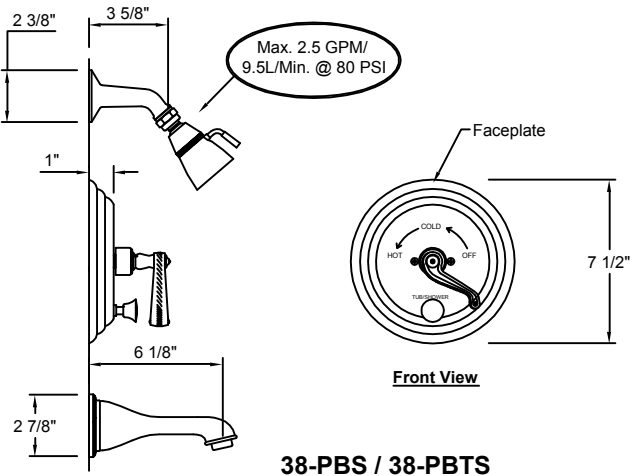


All California Faucets lever and blade handle products are American Disability Act (ADA) compliant.

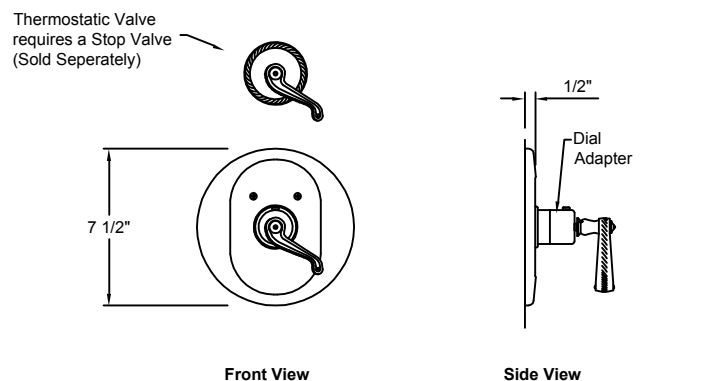
California Faucets reserves the right to make modification and specification changes at any time. Please verify dimensions prior to installation. Visit www.calfaucets.com for most current technical data.



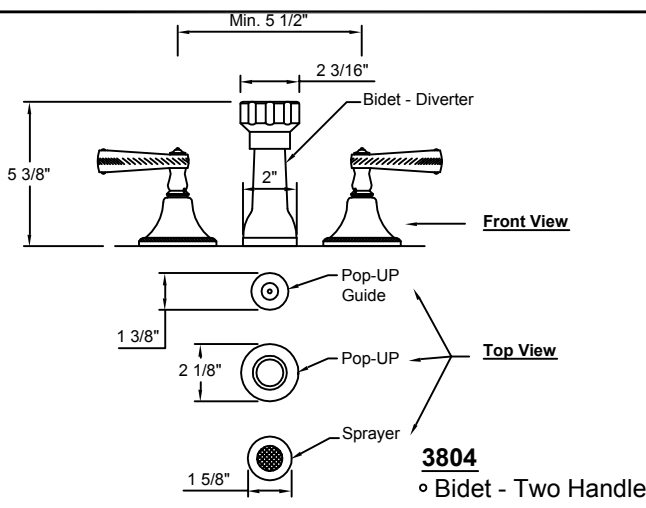
5802
 ◦ Widespread



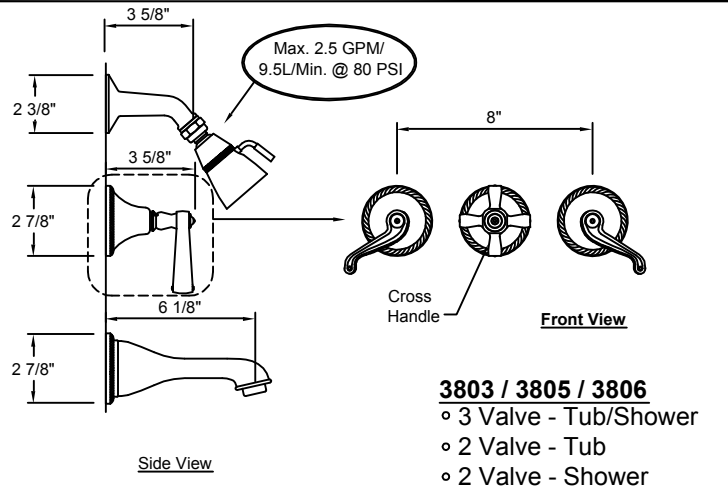
38-PBS / 38-PBTS
 ◦ Pressure Balance Shower
 ◦ Pressure Balance Tub/Shower



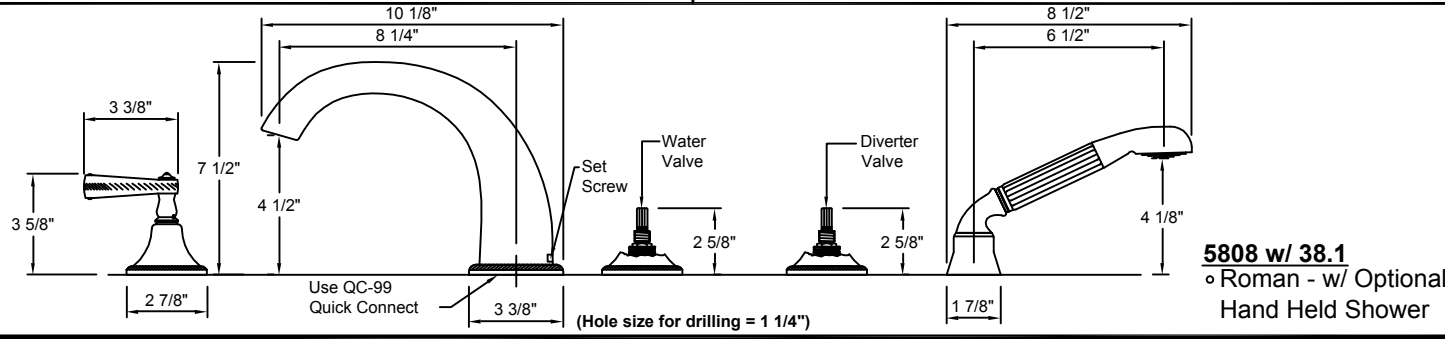
TH-150-38 / TH-175-38
 ◦ Thermostatic Valve - Single Handle Shower



3804
 ◦ Bidet - Two Handle



3803 / 3805 / 3806
 ◦ 3 Valve - Tub/Shower
 ◦ 2 Valve - Tub
 ◦ 2 Valve - Shower



5808 w/ 38.1
 ◦ Roman - w/ Optional Hand Held Shower