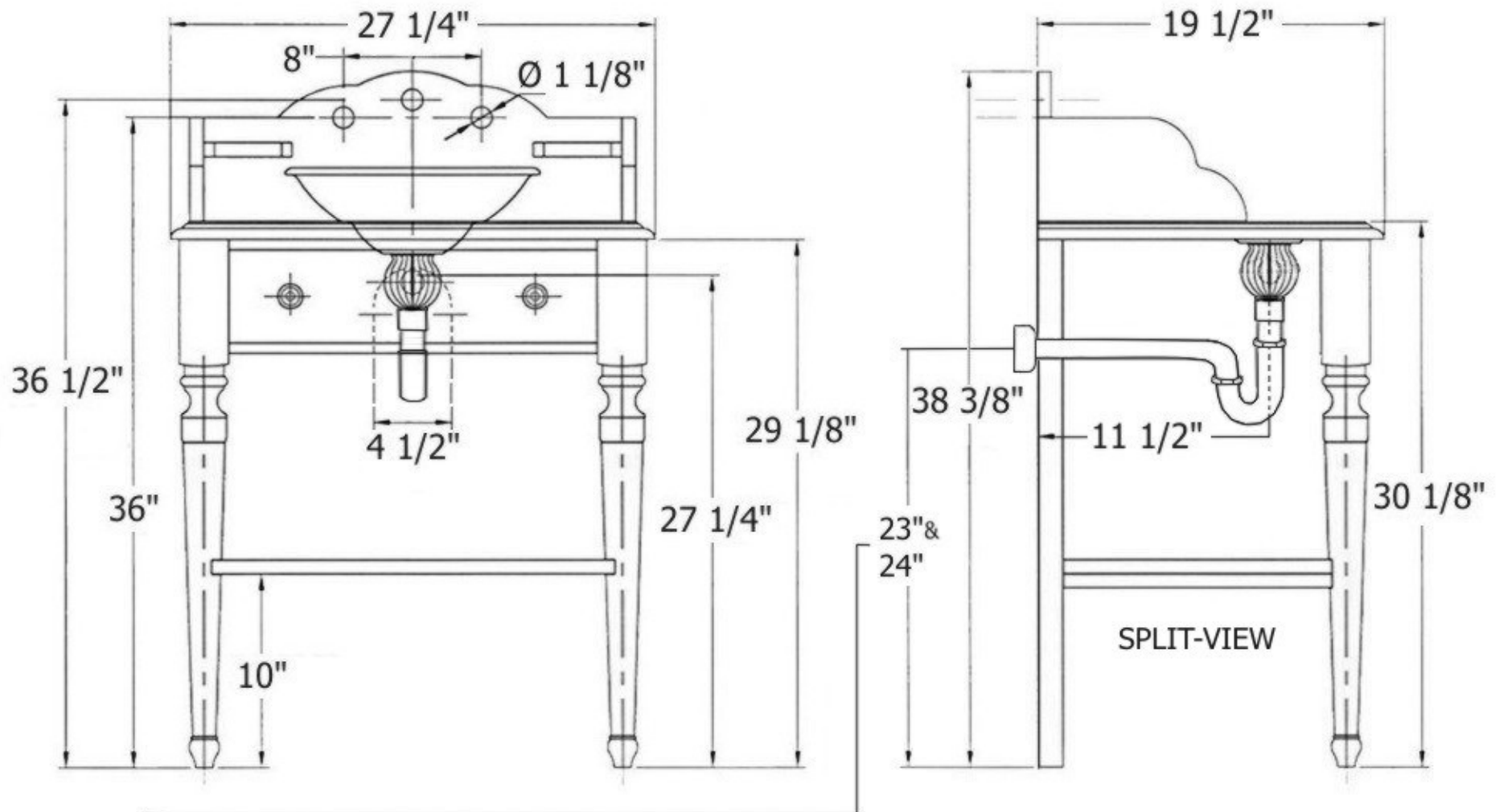


PLEASE SPECIFY 1- OR 3 HOLE DRILLING. TO BE USED WITH 0409 OR 0411 VESSEL BOWL.



- * ALL DRAIN MEASUREMENTS ARE USING THE 2120, 2121 AND 2122 DRAIN ASSEMBLY
- ** STUB OUT MEASUREMENT FOR DRAIN IS 23" USING THE 2124 UNCUT
- ** STUB OUT MEASUREMENT FOR DRAIN IS 24" USING THE 2124 CUT 1"