

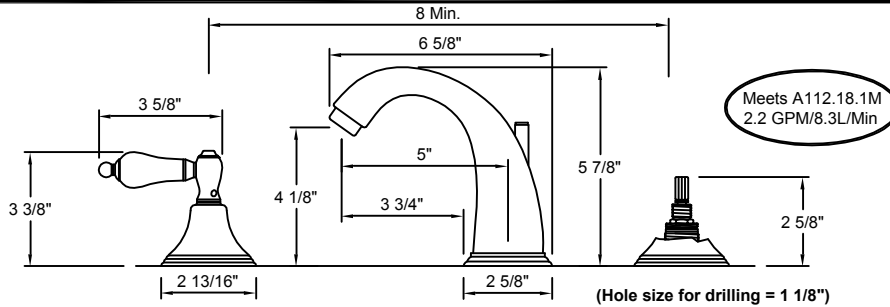
55 Series Specifications

"CORONADO"

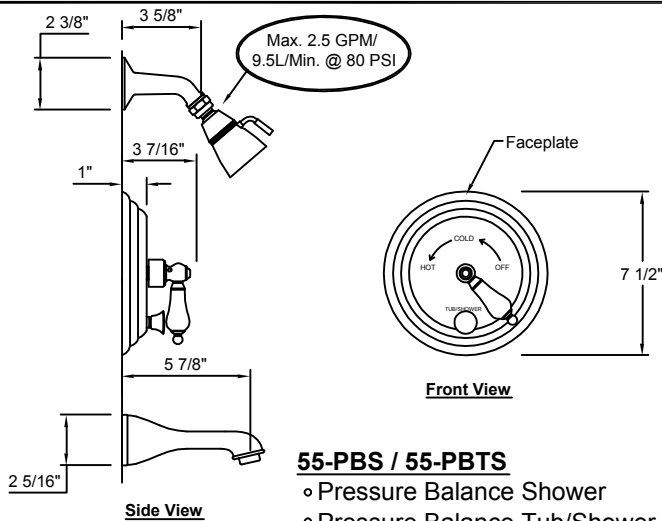


All California Faucets lever and blade handle products are American Disability Act (ADA) compliant.

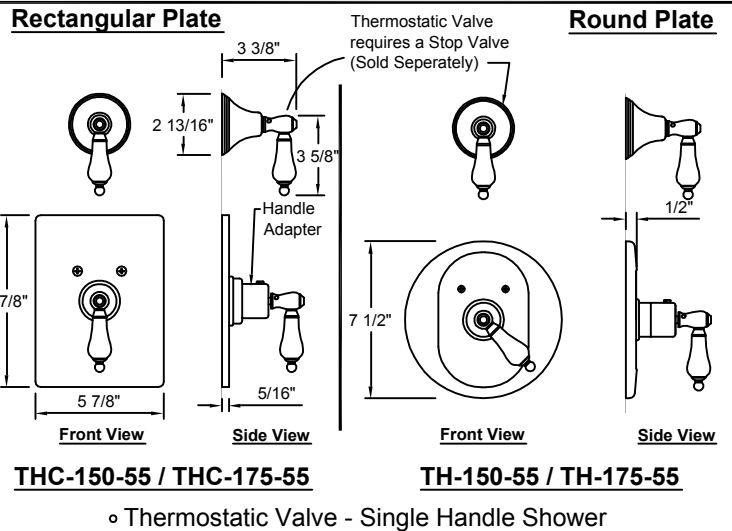
California Faucets reserves the right to make modification and specification changes at any time. Please verify dimensions prior to installation. Visit www.calfaucets.com for most current technical data.



5502
 • Widespread



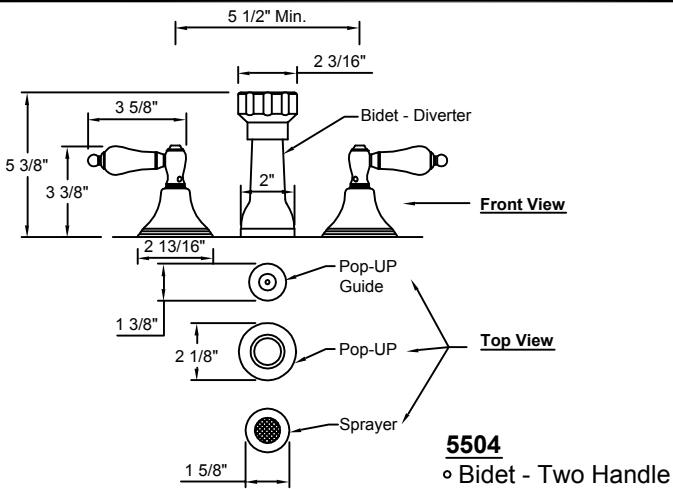
55-PBS / 55-PBTS
 • Pressure Balance Shower
 • Pressure Balance Tub/Shower



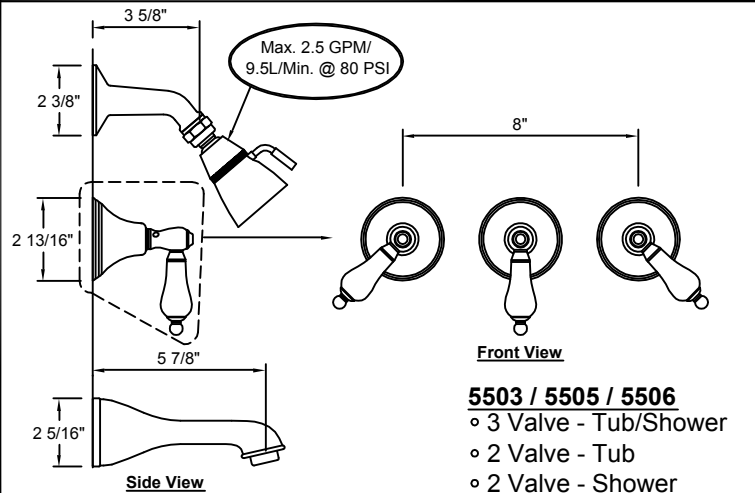
THC-150-55 / THC-175-55

TH-150-55 / TH-175-55

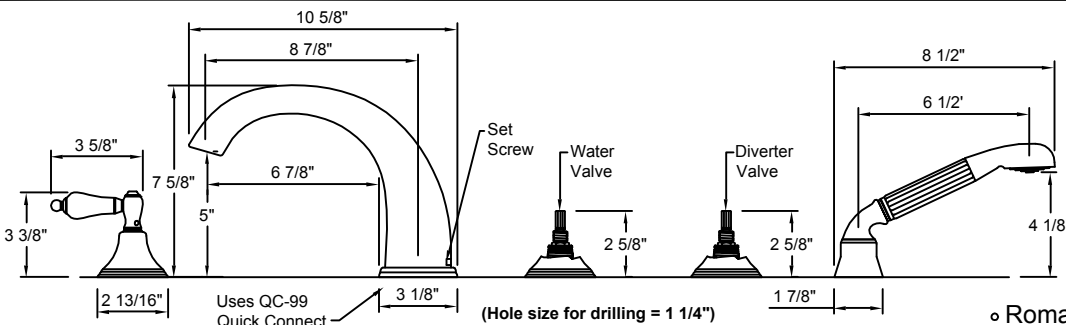
• Thermostatic Valve - Single Handle Shower



5504
 • Bidet - Two Handle

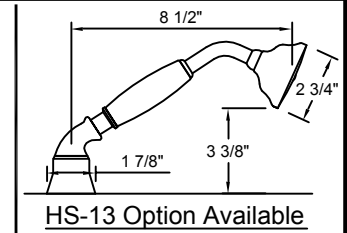


5503 / 5505 / 5506
 • 3 Valve - Tub/Shower
 • 2 Valve - Tub
 • 2 Valve - Shower



(Hole size for drilling = 1 1/4")

• Roman - w/ Optional Hand Held Shower



HS-13 Option Available

5508 w/ 55.1