

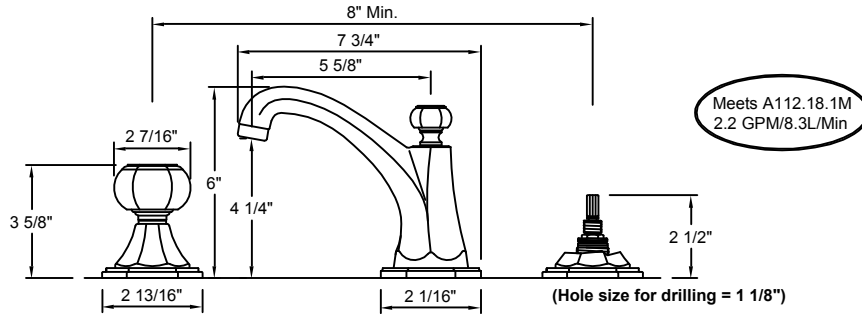
51 Series Specifications

"SUNSET"

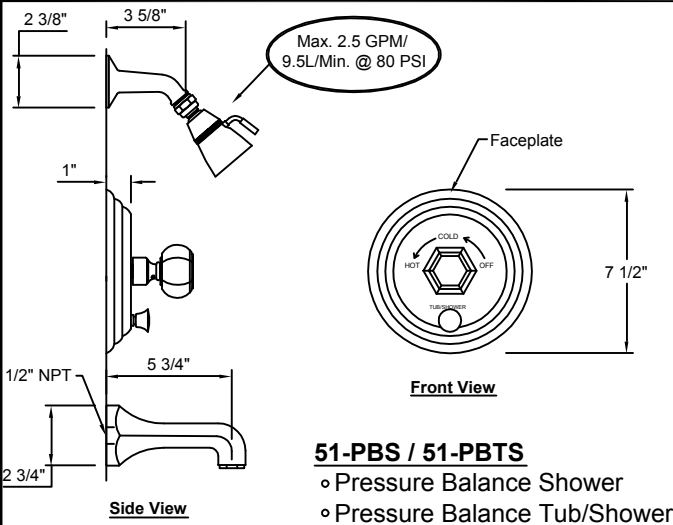


All California Faucets lever and blade handle products are American Disability Act (ADA) compliant.

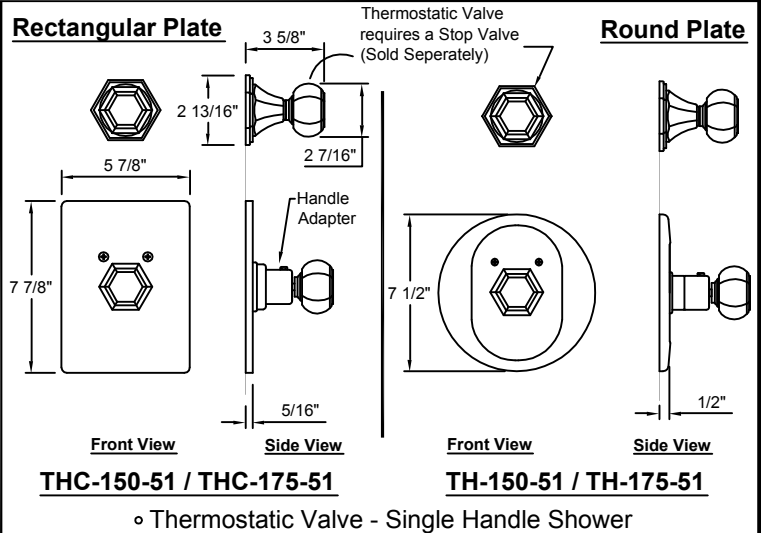
California Faucets reserves the right to make modification and specification changes at any time. Please verify dimensions prior to installation. Visit www.calfaucets.com for most current technical data.



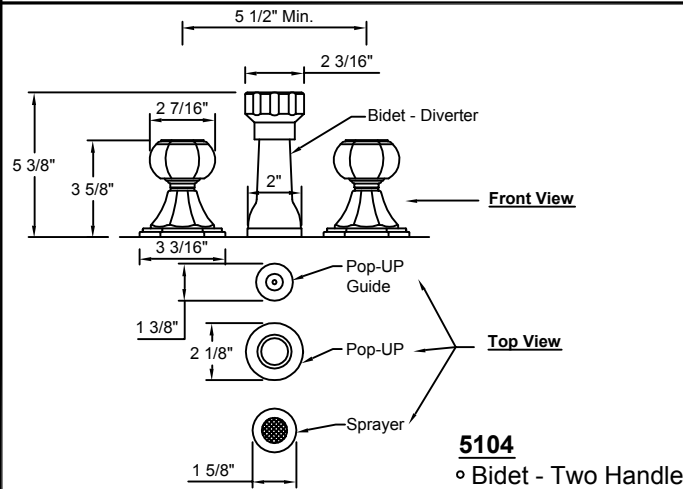
5102
 ◦ Widespread



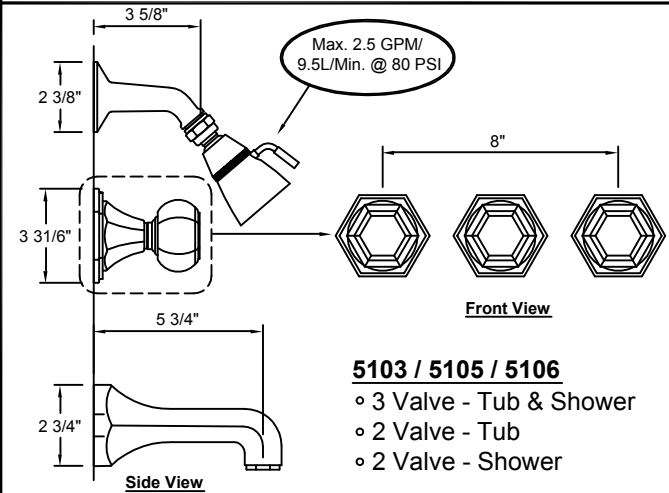
51-PBS / 51-PBTS
 ◦ Pressure Balance Shower
 ◦ Pressure Balance Tub/Shower



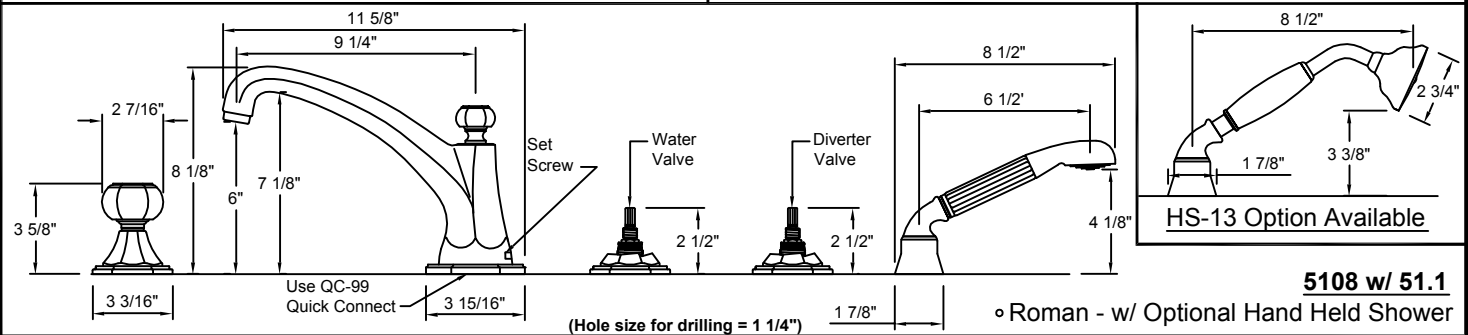
THC-150-51 / THC-175-51
TH-150-51 / TH-175-51
 ◦ Thermostatic Valve - Single Handle Shower



5104
 ◦ Bidet - Two Handle



5103 / 5105 / 5106
 ◦ 3 Valve - Tub & Shower
 ◦ 2 Valve - Tub
 ◦ 2 Valve - Shower



5108 w/ 51.1
 ◦ Roman - w/ Optional Hand Held Shower