

### FEATURED MODEL

515-536 White, 9" bowl depth

### ADDITIONAL MODELS

515-535 Metallic Gray, 9" bowl depth

515-537 Biscuit, 9" bowl depth

515-539 Anthracite, 9" bowl depth

515-540 Café Brown, 9" bowl depth

### FEATURES

- Undermount installation
- 80% rock hard granite
- Color all the way through
- Highly resistant to scratching, staining and all household acids and alkali solutions
- Non-porous, easy-to-clean
- Heat resistant to 536° F
- Extremely hygienic, does not absorb odors or bacteria

### CODE/STANDARDS COMPLIANCE

ANSI Z124.6-97  
IAPMO/UPC listed

### OPTIONAL ACCESSORIES

Sink Grid: 222-466  
Colander: 514-015

### WARRANTY

Blanco America's SILGRANIT® Series sinks feature a LIMITED LIFETIME WARRANTY to be free of all manufacturing defects under normal use. See our complete warranty for details.

While Blanco America endeavors to provide accurate information, all dimensions are nominal, cannot be guaranteed, and are subject to change or cancellation. Blanco America assumes no responsibility for use of superseded or voided specifications.

### PRODUCT SPECIFICATION

Undermount sink to be single bowl design, 17-1/2" in length and 17" in front-to-back depth. Sink to be made from Silgranit® hard composite material. Sink to feature rear drain placement. Sink to be Blanco (Check one):

- Model 515-535      Model 515-536  
 Model 515-537      Model 515-539  
 Model 515-540

with bowl depth of 9".

- Metallic Gray 515-535
- White 515-536
- Biscuit 515-537
- Anthracite 515-539
- Café Brown 515-540

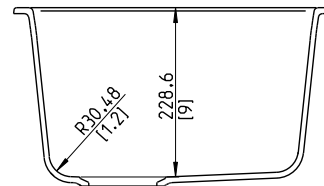
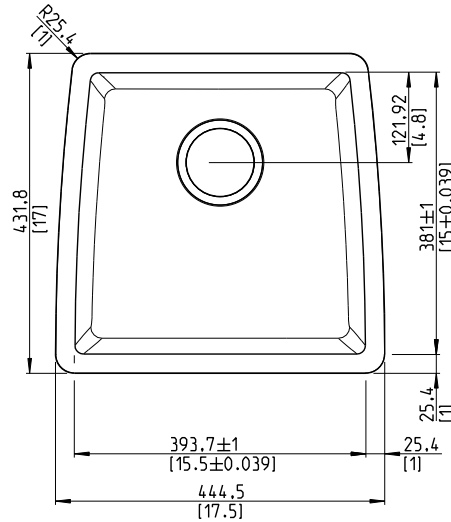


MODEL 515-536 Shown

### NOMINAL DIMENSIONS

OVERALL	CUTOUT SIZE	BOWL DEPTH	DRAIN DIAMETER
17-1/2 x 17	Template provided with approximate 1/8" reveal	9	3-1/2

DXF cutout templates available on our web site.



### JOB INFORMATION

Job Name: \_\_\_\_\_

Contact: \_\_\_\_\_

Date Specified: \_\_\_\_\_

Specifier: \_\_\_\_\_

Contractor: \_\_\_\_\_